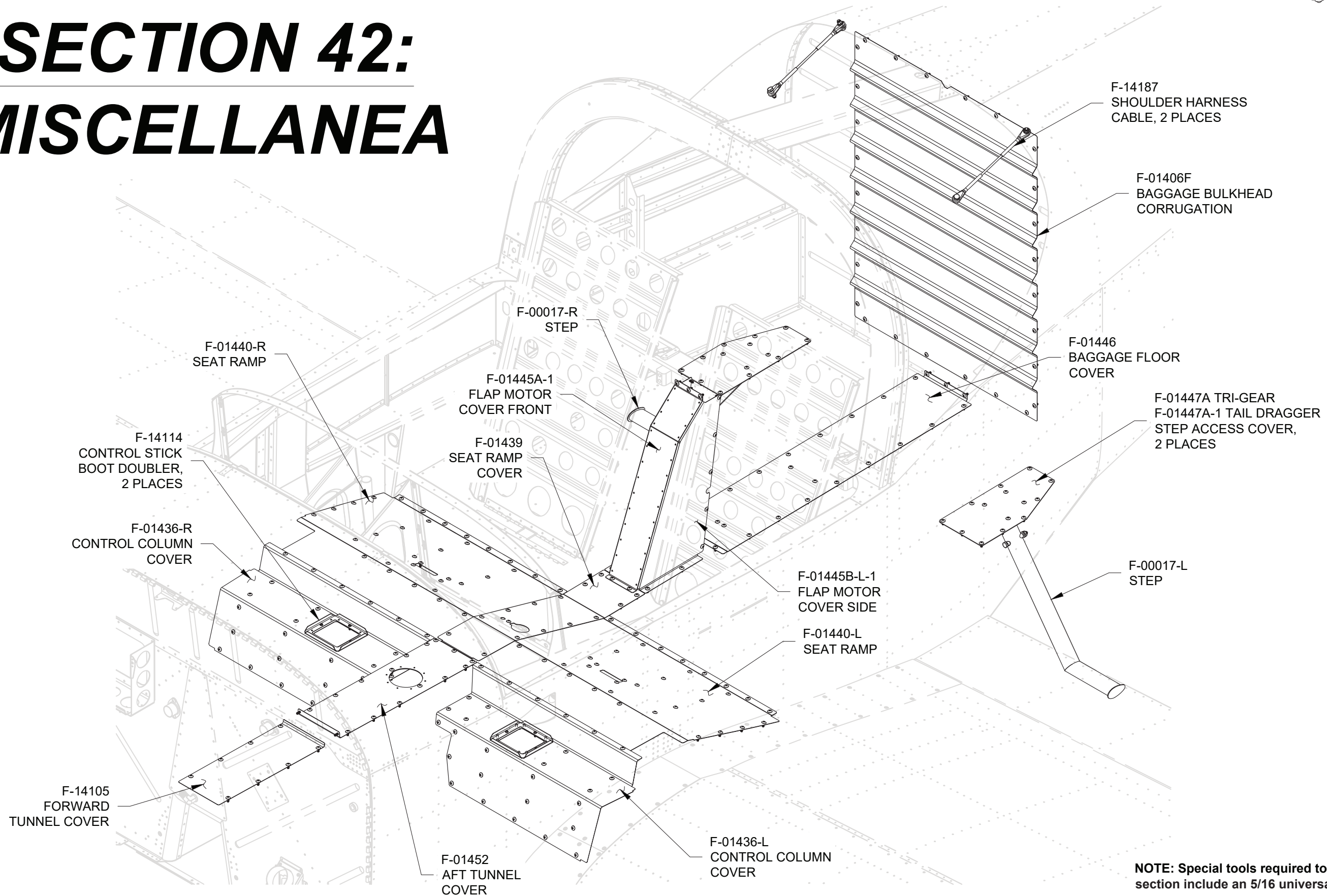


SECTION 42: MISCELLANEA



NOTE: Special tools required to complete this section include an 5/16 universal joint socket.

DATE OF COMPLETION:			
PARTICIPANTS:			
DATE: 07/19/23	REVISION: 3	RV-14	PAGE 42-01

NOTE: If desired, the aircraft interior and interior cover panels should be primed and or painted before completing the steps in this section.

Step 1: Dimple the nutplate rivet holes in the F-01440-L & -R Seat Ramps as shown in Figure 1.

Rivet the nutplates to the seat ramps.

Step 2: Dimple the nutplate rivet holes in the F-01439 Seat Ramp Cover as shown in Figure 1.

Rivet the nutplates to the seat ramp cover as shown in Figure 1.

Step 3: Install the crotch strap portion of the seat belt (not included in kit) with the hardware provided. Note that the slot in the F-01440 Seat Ramp is offset to the outboard on both the left and right hand sides. Install the strap in the corresponding location between the F-14110A & B Crotch Strap Brackets. See Figure 2.

These may be installed later if desired.

Step 4: Install the F-01440-L & -R Seat Ramps and the F-01439 Seat Ramp Cover using the screws shown in Figure 1.

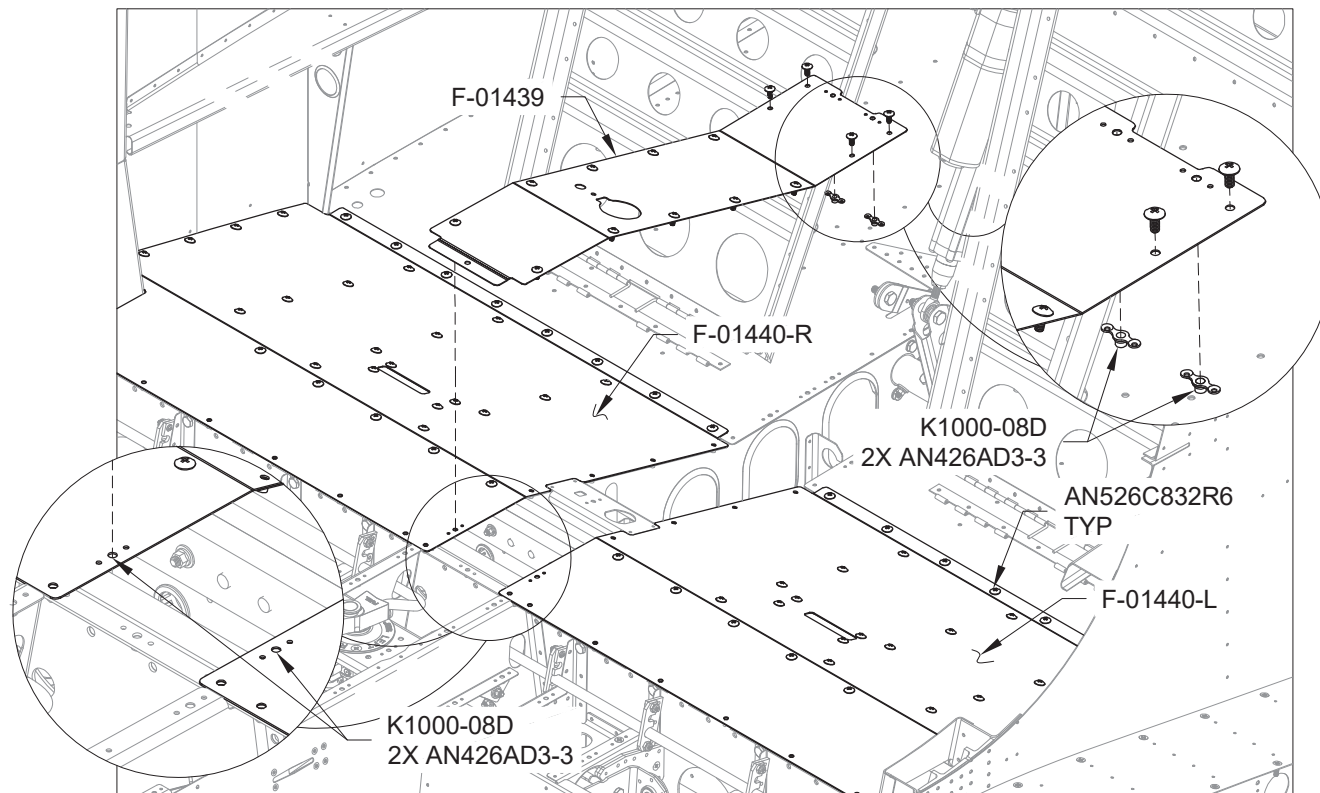


FIGURE 1: SEAT RAMP COVER INSTALLATION
(SOME PARTS NOT SHOWN FOR CLARITY)

Step 5: Dimple the nutplate rivet hole locations in the F-01436-L & -R Control Column Covers and the rivet attach holes in the corresponding nutplates.

Dimple the control column covers for #8 flush screws as shown in Figure 3.

Step 6: Rivet the nutplates called out in Figure 3 to the control column covers.

Step 7: Install the F-01436-L & -R Control Column Covers using the hardware called out in Figure 3.

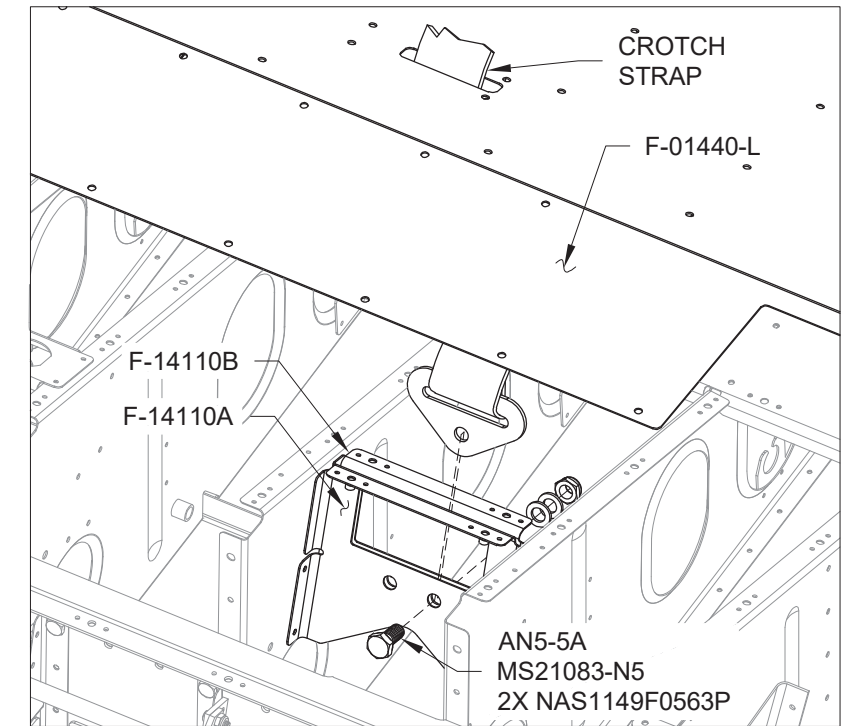


FIGURE 2: CROTCH STRAP INSTALLATION
(SOME PARTS NOT SHOWN FOR CLARITY)

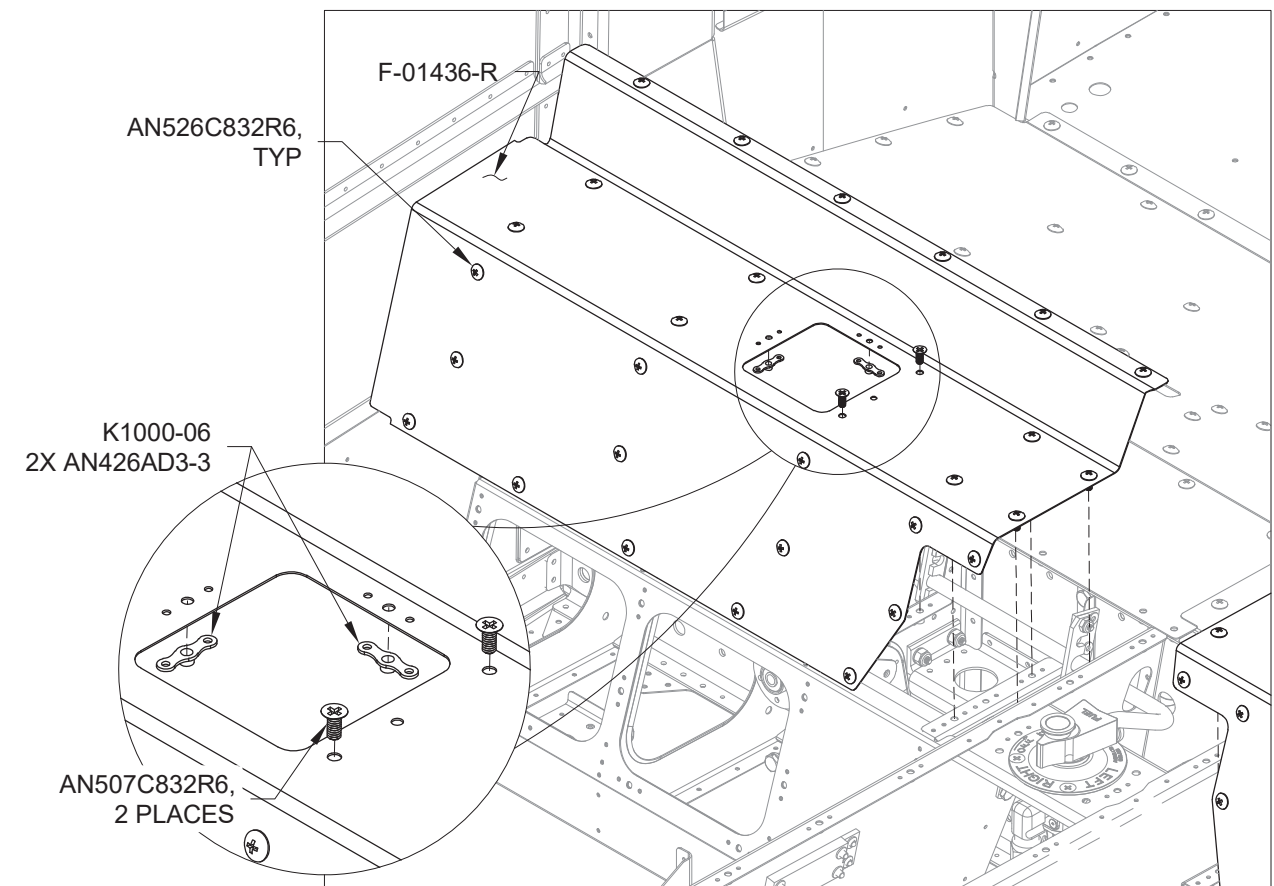
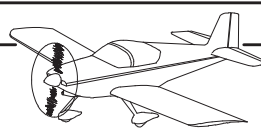


FIGURE 3: CONTROL COLUMN COVER INSTALLATION
(RIGHT SHOWN, LEFT IS MIRRORED)



Step 1: Rivet the F-01452A Aft Tunnel Cover Doubler to the F-01452 Aft Tunnel Cover with the hardware called out in Figure 1.

Step 2: Install the F-01452 Aft Tunnel Cover and the F-14105 Forward Tunnel Cover using the hardware called out in Figure 2.

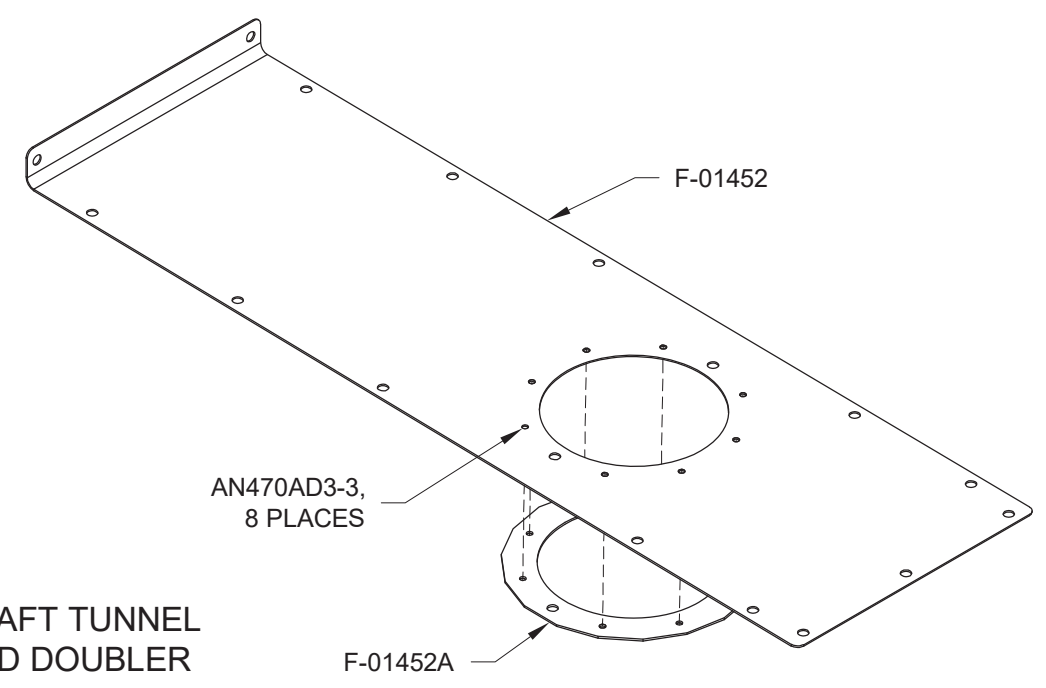


FIGURE 1: AFT TUNNEL COVER AND DOUBLER

Step 3: Rivet the F-01445A-1 Flap Motor Cover Front to the F-01445B-L-1 & -R-1 Flap Motor Cover Sides with the hardware called out in Figure 3. This is now the Flap Motor Cover Assembly.

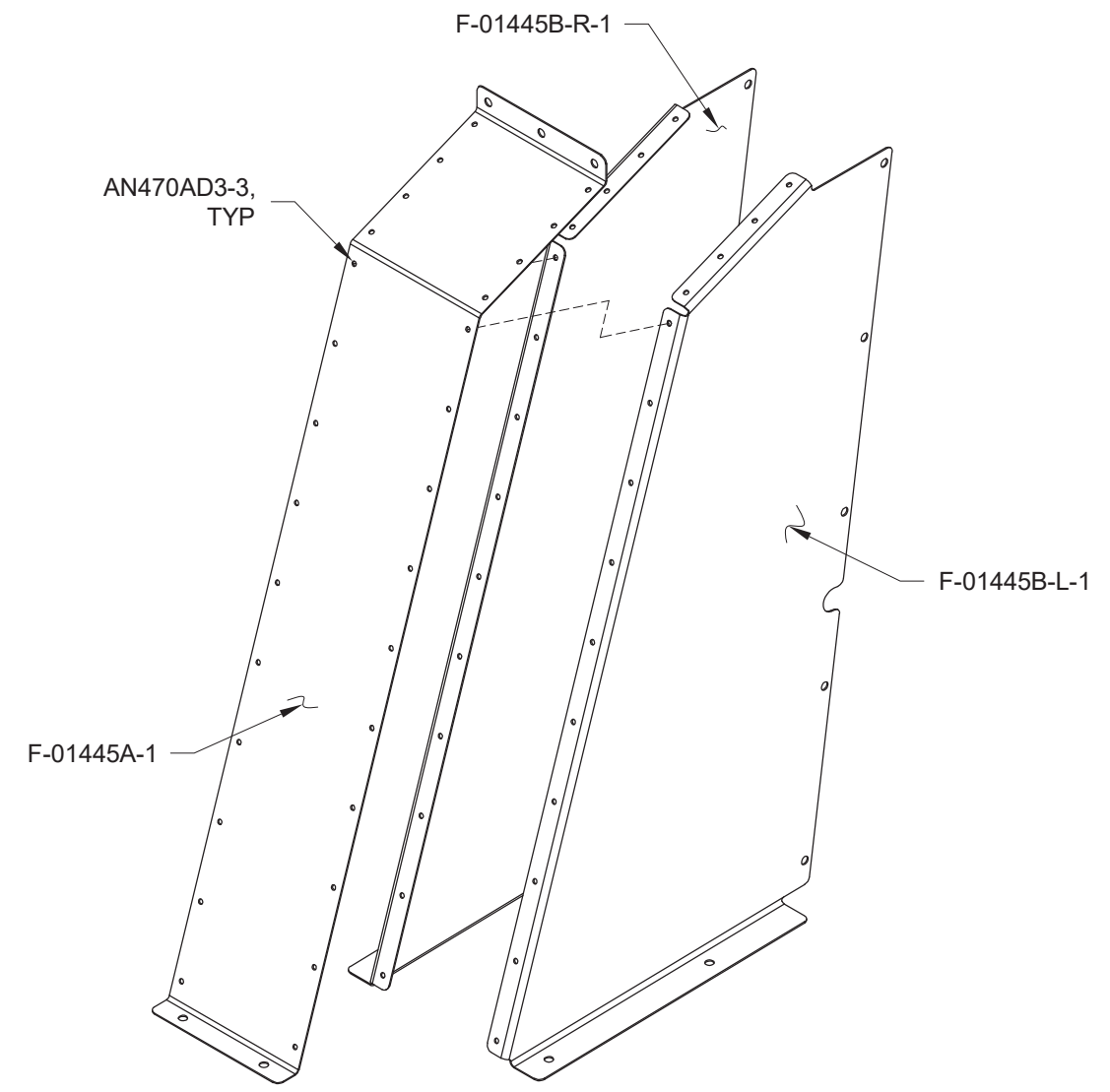


FIGURE 3: FLAP MOTOR COVER ASSEMBLY

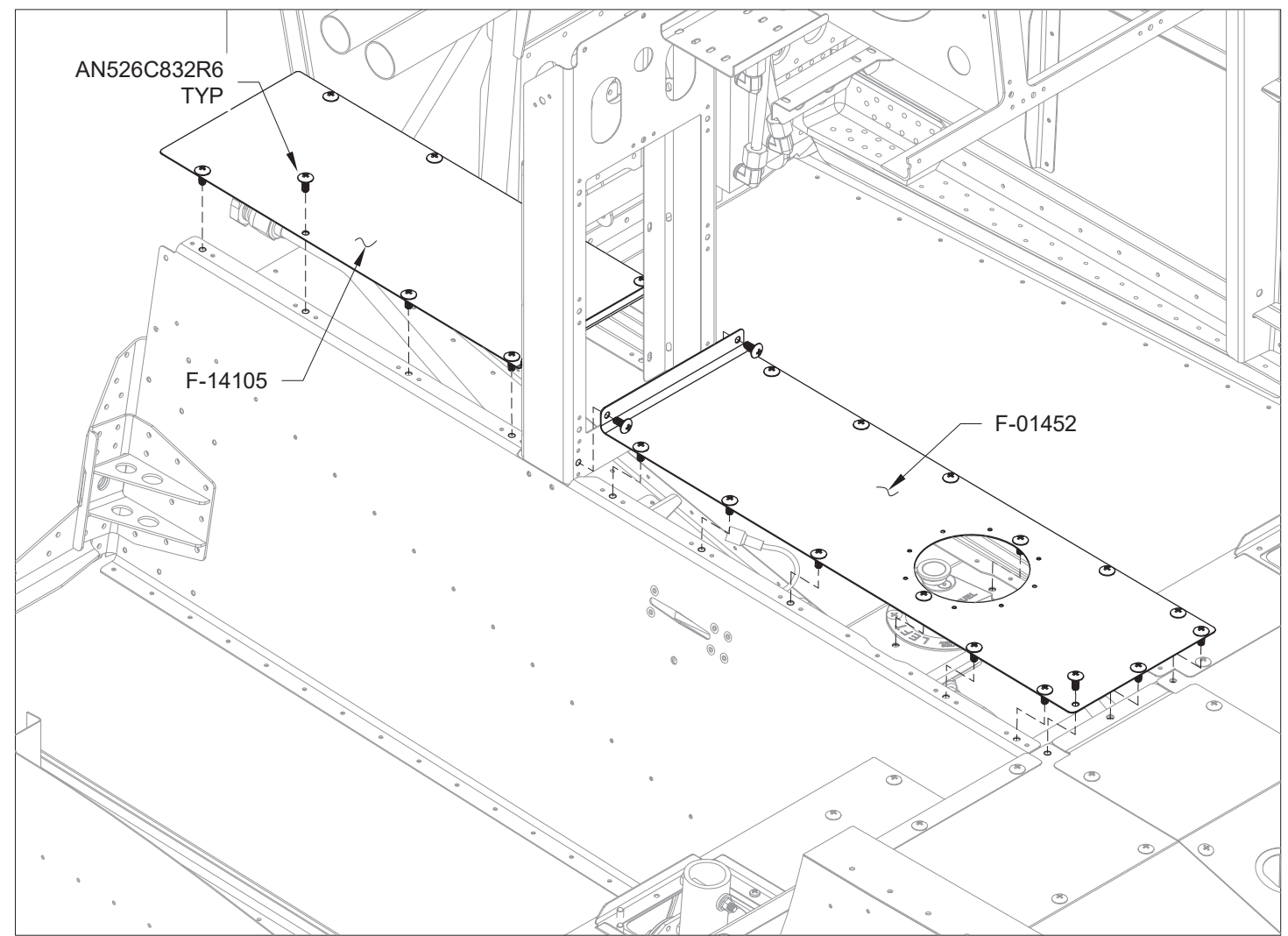


FIGURE 2: TUNNEL COVER INSTALLATION

Step 1: Install the Flap Motor Cover Assembly with the hardware called out in Figure 1.

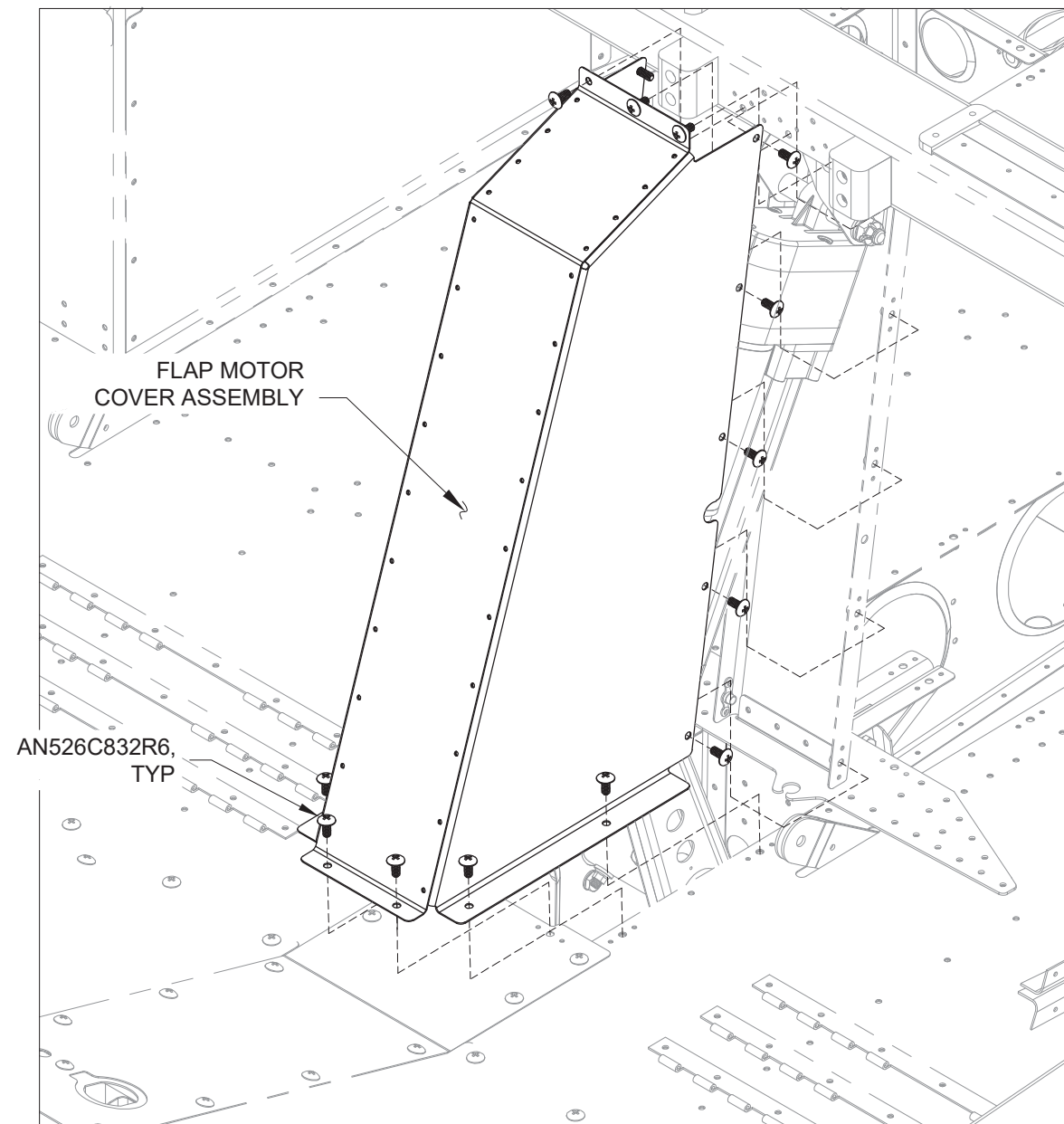


FIGURE 1: FLAP MOTOR COVER INSTALLATION

Step 2: Install the F-01446 Baggage Floor Cover with the hardware called out in Figure 2.

Step 3: Install the F-01406F Baggage Bulkhead Corrugation starting with the top and bottom row of attachment hardware as called out in Figure 2.

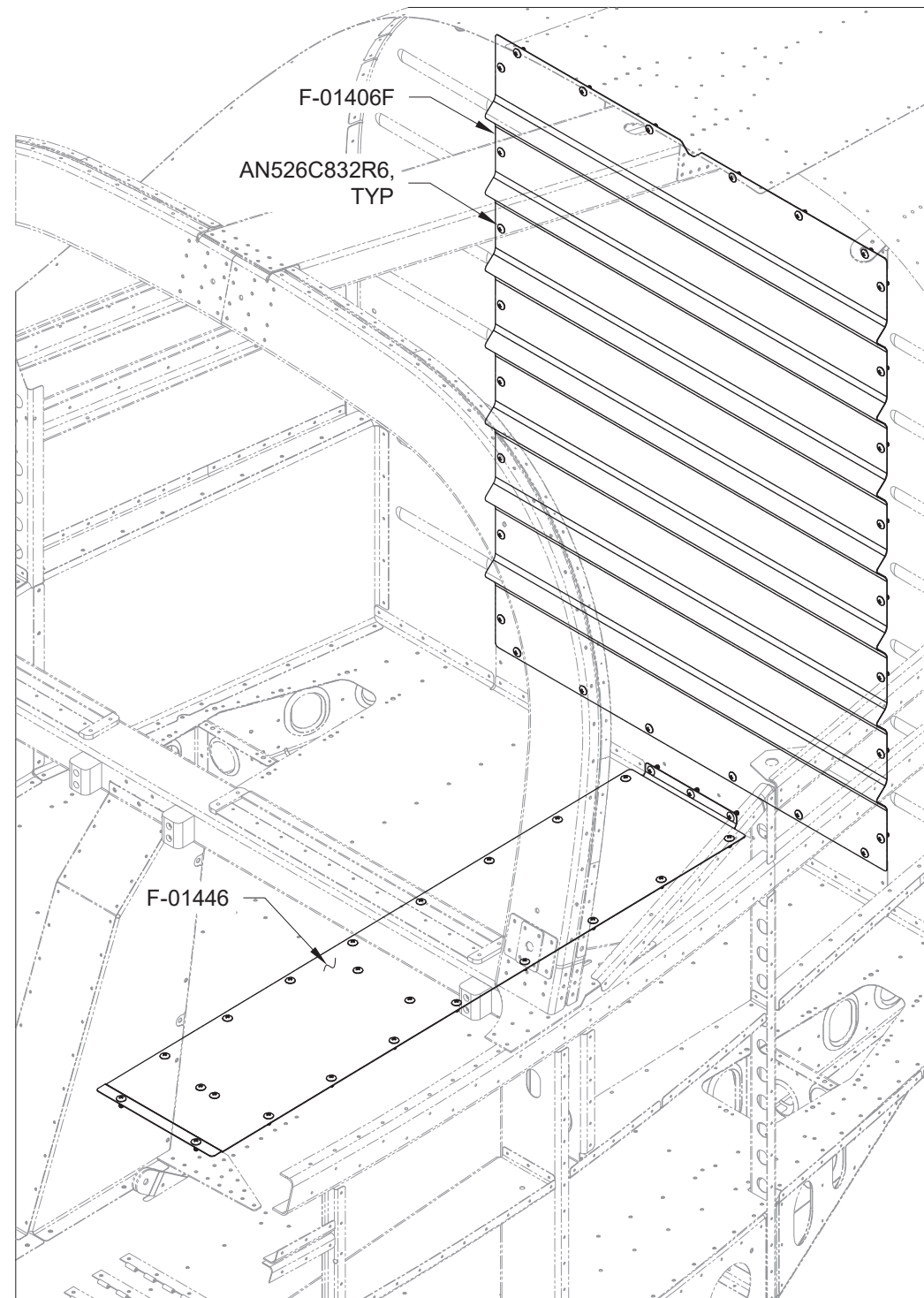
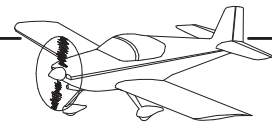


FIGURE 2: BAGGAGE FLOOR COVER AND BULKHEAD CORRUGATION



NOTE: Tail dragger builders may choose to perform steps marked "Tri-Gear" on this page to allow for installation of the optional F-00018-L & -R Tail Dragger Steps.

NOTE: Steps may be painted before installation. Mask the bolt attach holes in the upper end of the steps prior to painting as paint build-up in this area makes bolt installation more difficult.

Step 1 (Tri-Gear): Install the F-00017-L & -R Steps with the hardware called out in Figure 1. The bolts must be installed tightly to avoid step movement under load. To achieve the best fit the bolt heads need to be held stationary while the nut is tightened on the opposite side. This difficult location requires a 5/16 universal joint socket for the best result.

Step 2 (Tri-Gear): Install the F-01447A Step Access Covers with the hardware called out in Figure 2 for the tri-gear installation.

Step 2 (Tail Dragger): Install the F-01447A-1 Step Access Covers with the hardware called out in Figure 3 for the tail dragger installation.

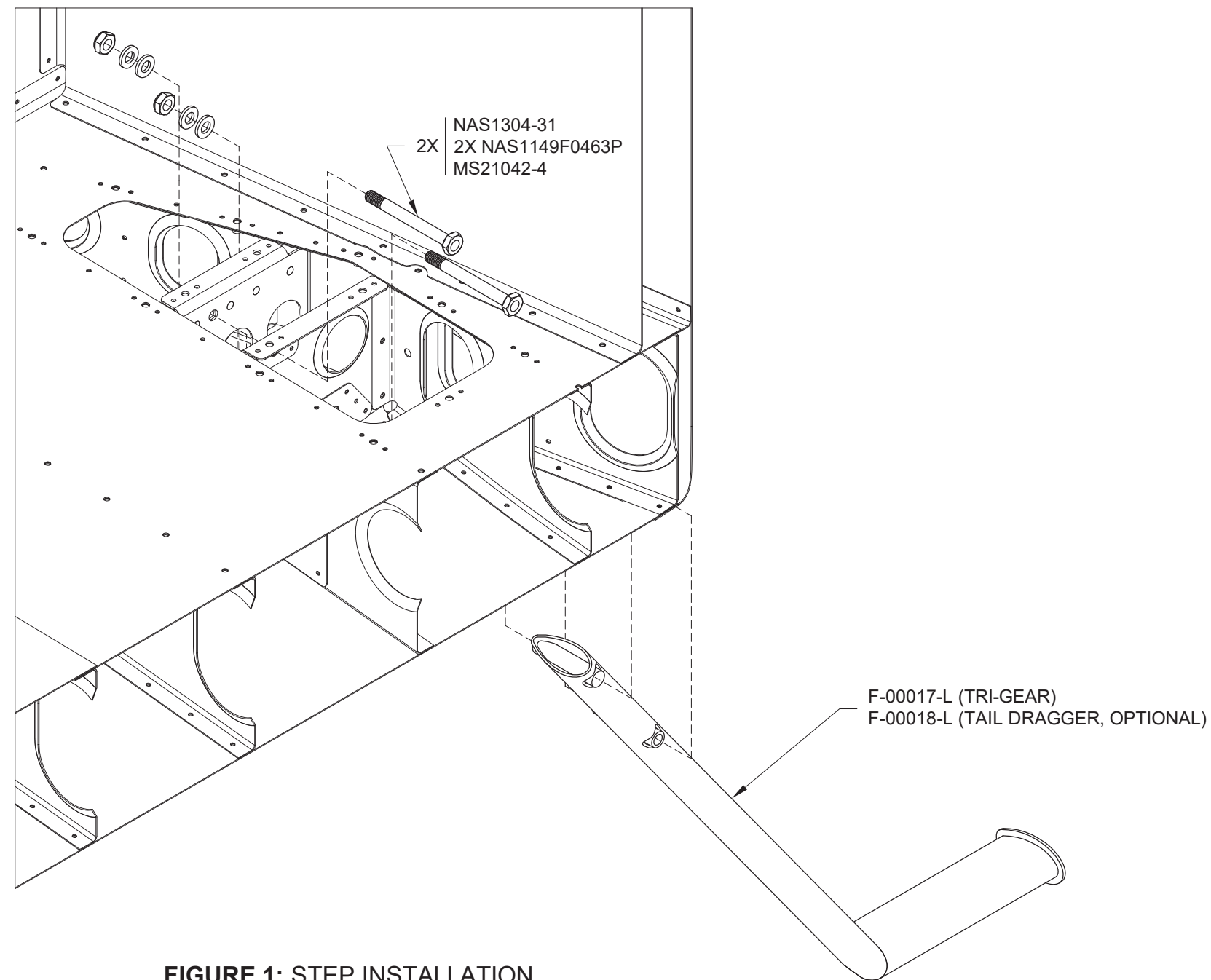


FIGURE 1: STEP INSTALLATION
(LEFT INSTALLATION SHOWN)

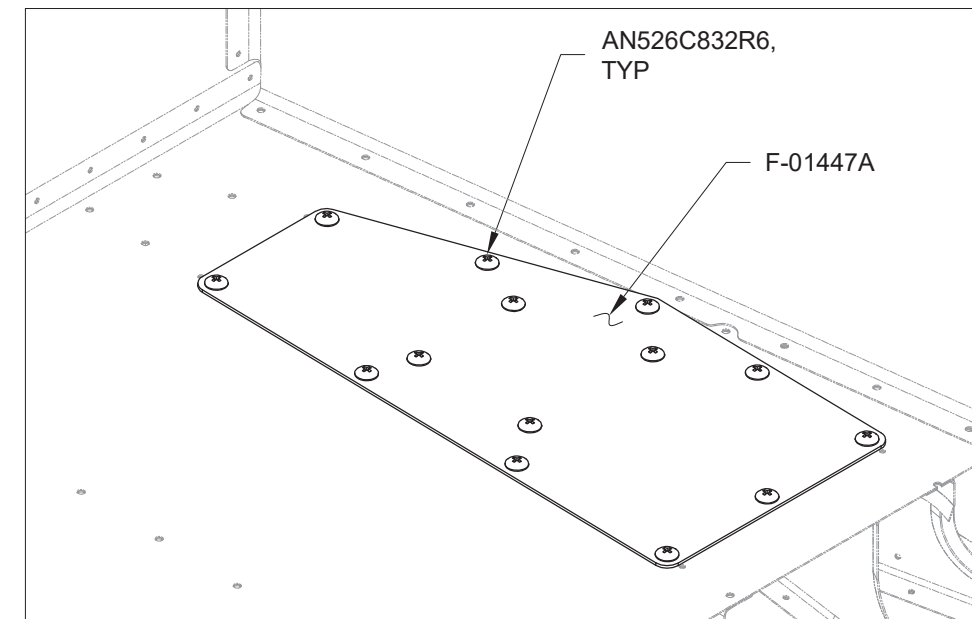


FIGURE 2: STEP COVER INSTALLATION
(LEFT TRI-GEAR AND TAIL DRAGGER WITH STEP INSTALLATION SHOWN)

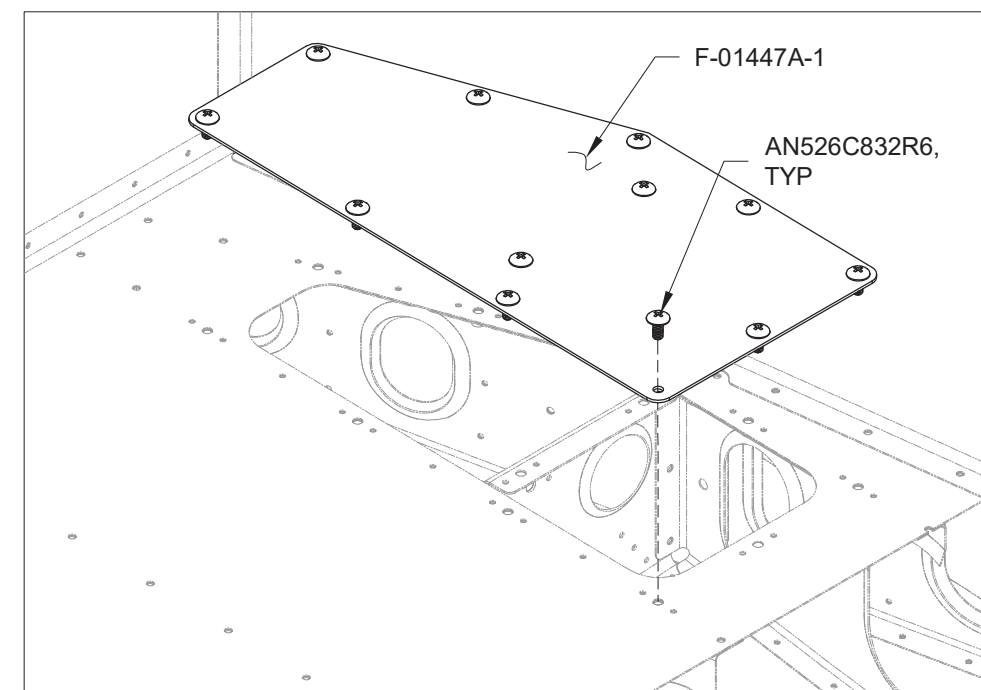


FIGURE 3: STEP COVER INSTALLATION
(LEFT TAIL DRAGGER WITHOUT STEP INSTALLATION SHOWN)



Step 1: Attach one end of the F-14187 Shoulder Harness Cables to the F-01406E Shoulder Harness Lugs using the hardware called out in Figure 1.

Step 2: Attach the other end of the F-14187 Shoulder Harness Cables to the Shoulder Harness (not included in kit) as shown in Figure 1.

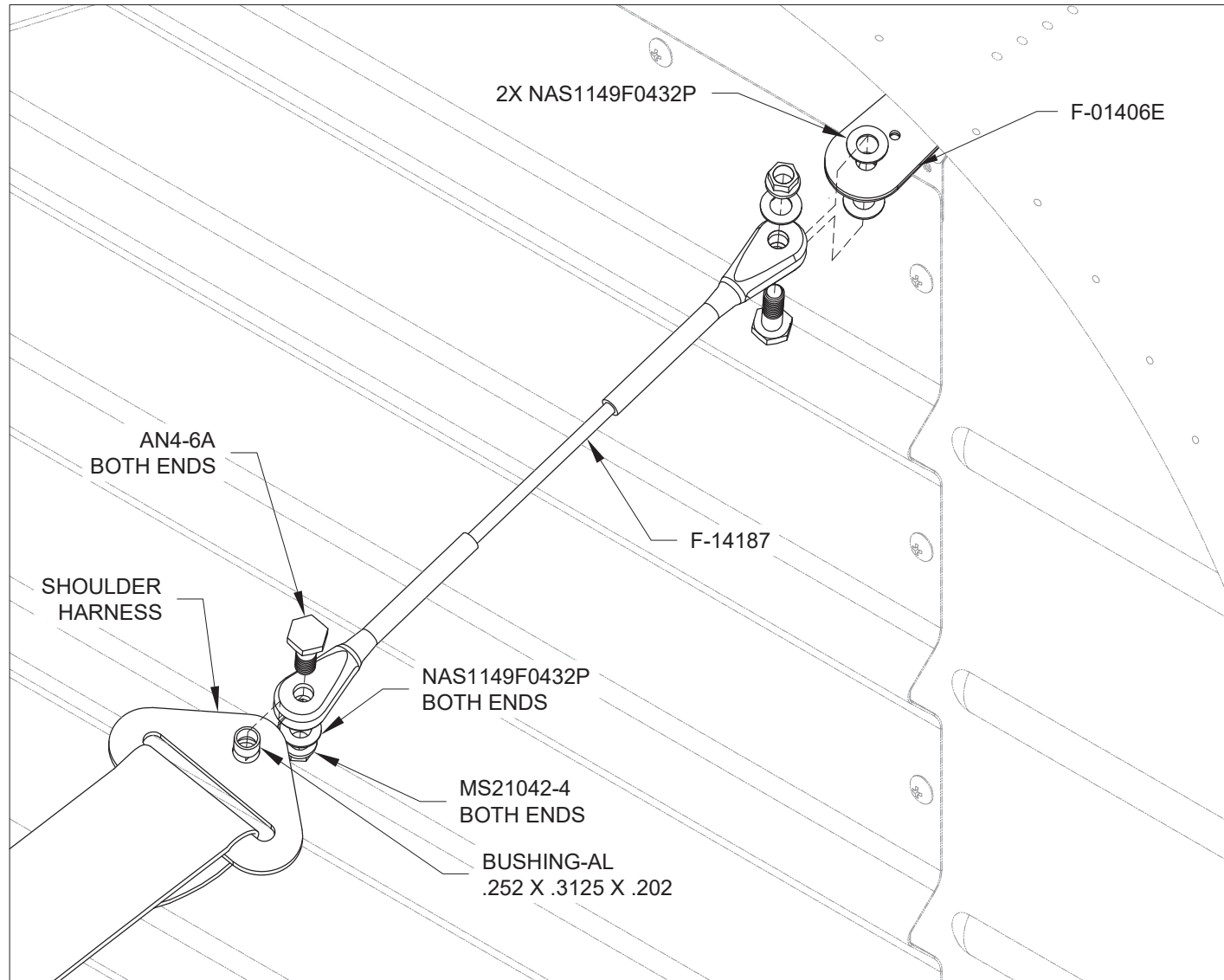


FIGURE 1: SHOULDER HARNESS ATTACH

NOTE: Two opposite belt sections (one male and one female) should be mounted at the center lug locations to prevent the belts from being used by the incorrect seat position. Take care when installing the lap belts that the belts will not be twisted when fastened together.

Step 3: Attach the end fitting of the lap belts (not included in kit) to the F-01480 Seat Belt Attach Lugs using the hardware shown in Figure 2.

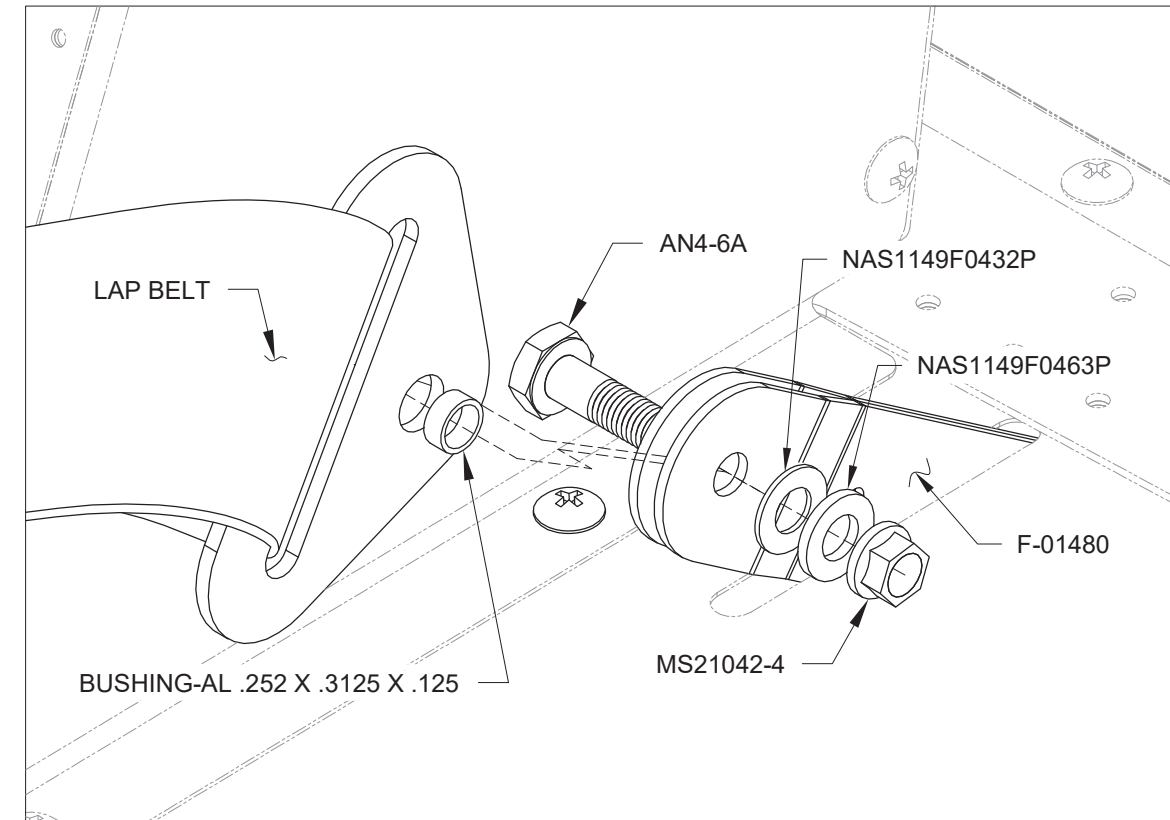
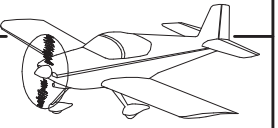


FIGURE 2: LAP BELT ATTACH (TYP)



Step 1: The F-14114 Control Stick Boot Doublor is provided in the kit. It can be attached to the stick boot (not supplied with kit) as shown in Figure 1 and installed using the screws called out in Figure 2.

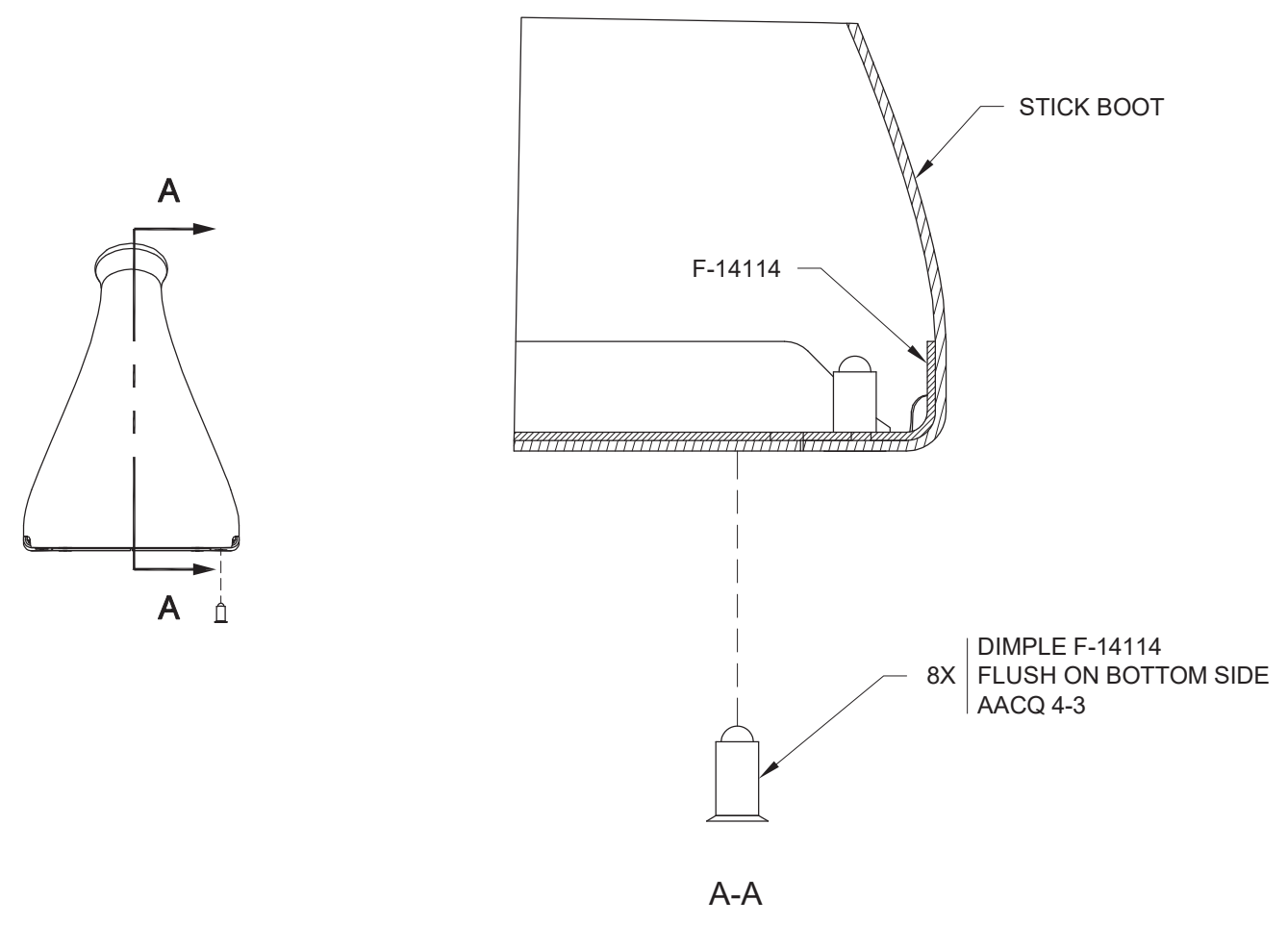


FIGURE 1: STICK BOOT AND STICK BOOT DOUBLER ASSEMBLY

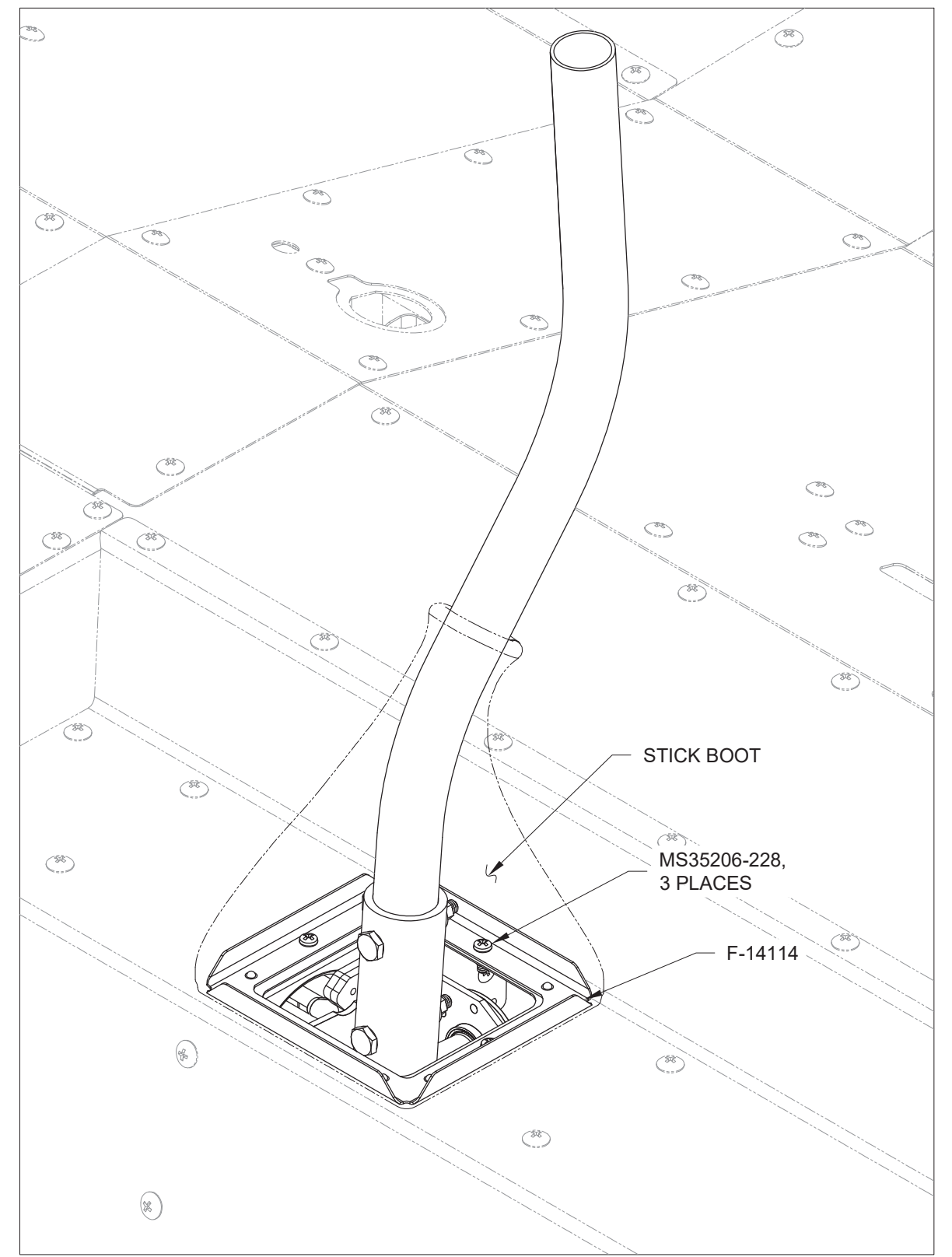


FIGURE 2: STICK BOOT DOUBLER



THIS PAGE INTENTIONALLY LEFT BLANK