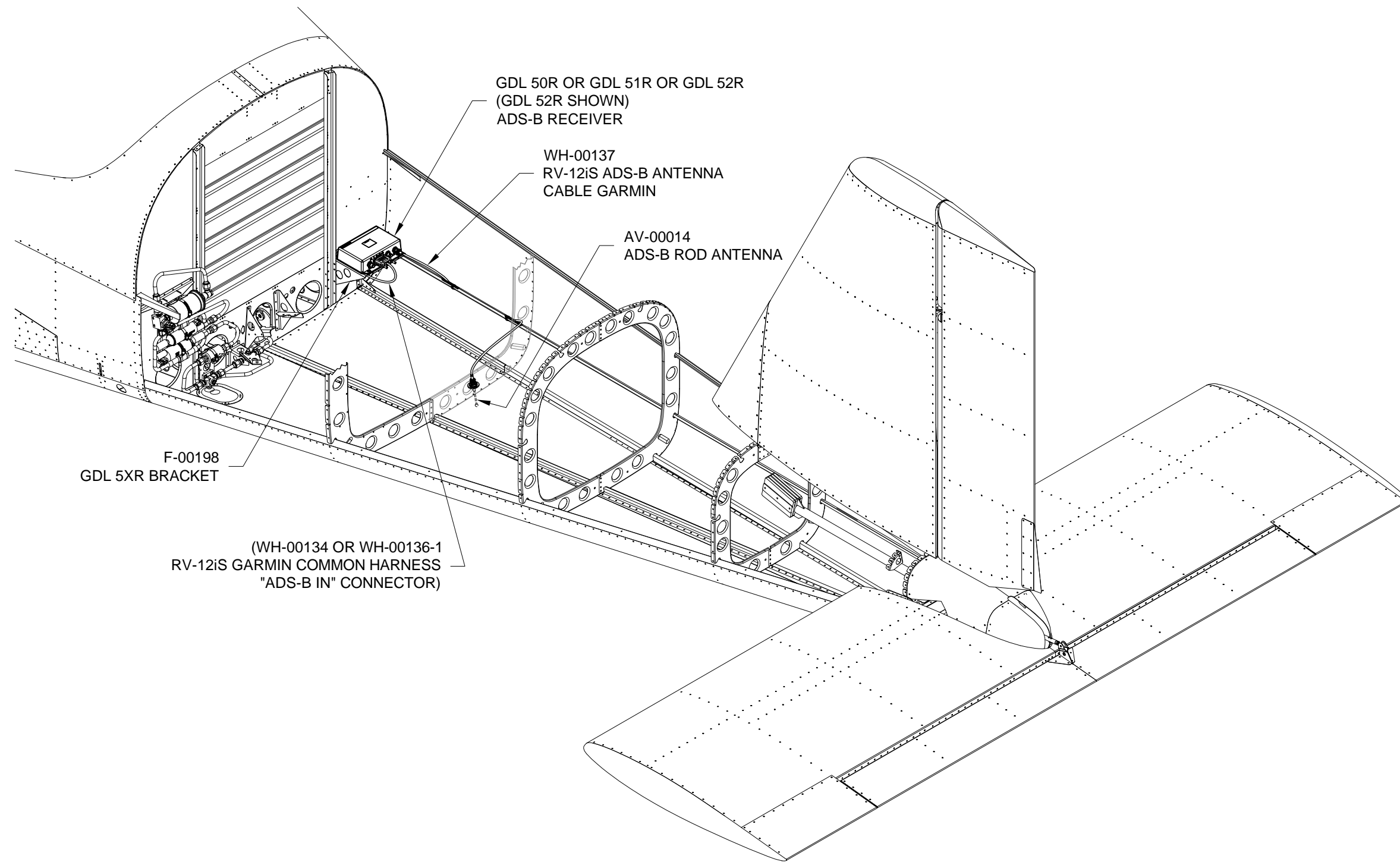


# SECTION 53BiS: GARMIN ADS-B IN





**Step 1:** Machine countersink the nutplate attach holes and install nutplates on the underside of the F-00198 as shown in Figure 1.

**Step 2:** If required, remove the four rivets on F-01207C-R-1 Baggage Bulkhead that will correspond to the upper flange of the F-00198. See Figure 2.

**Step 3:** Cleco the F-00198 to the F-01207C-R-1 using the upper four holes. Match-Drill #30 the four holes in the right side flange into the F-01207C-R-1. See Figure 1.

**Step 4:** Rivet the F-00198 to the F-01207C-R-1 and F-01207D-R-1 Baggage Bulkhead Channel as shown in Figure 2.

**Step 5:** If required, rivet the two holes in the F-01207C-R-1 to the right of the F-00198 as shown in Figure 2.

**NOTE:** For simplicity, the following steps reference installation of the GDL 52R. Installation of the GDL 50R or GDL 51R can be accomplished in much the same manner.

**Step 6:** Attach the GDL 52R to the F-00198 with the hardware as shown in Figure 2.

**Step 7:** Locate the "ADS-B IN" connector on the WH-00134 or WH-00136-1 and connect it to the GDL 52R. Ensure that the WH-00134 or WH-00136-1 does not hang down and contact the right flaperon torque tube.

**Step 8:** Step drill 1/2 a hole in the F-01282-R-1 Bottom Right Skin as shown in the detail view of Figure 2.

**Step 9:** Install the AV-00014 as shown in the detail view of Figure 2 and connect the WH-00137 to the AV-00014.

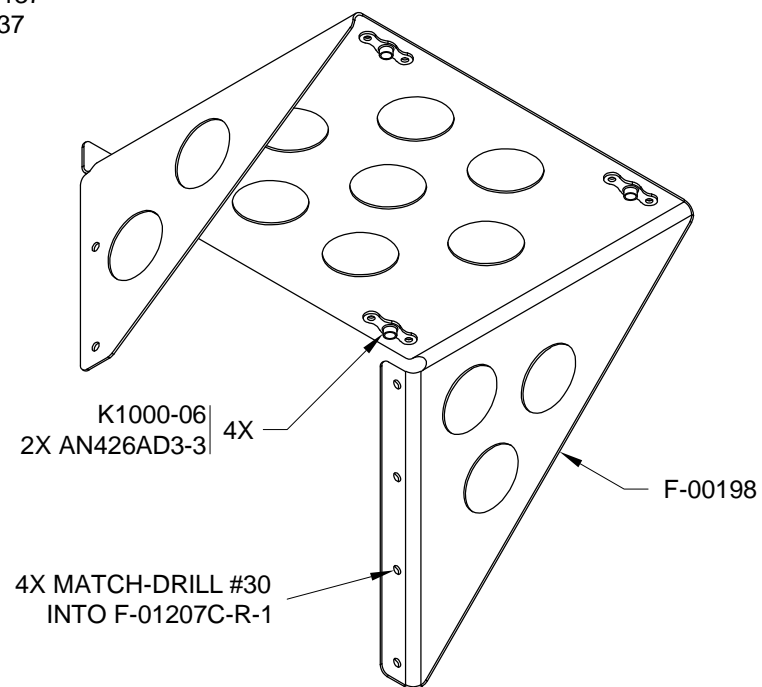
**Step 10:** Route the WH-00137 forward along the stiffener in the F-1281-R Lower Skin and connect it to the "ADS-B" connection on the GDL 52R. See Figure 2.

**Step 11:** Per Figure 2, secure the WH-00137 to the F-1281-R by inserting tie-wraps through the holes in the stiffener. Ensure that the WH-00137 does not contact the F-1208-R Fuselage Frame.

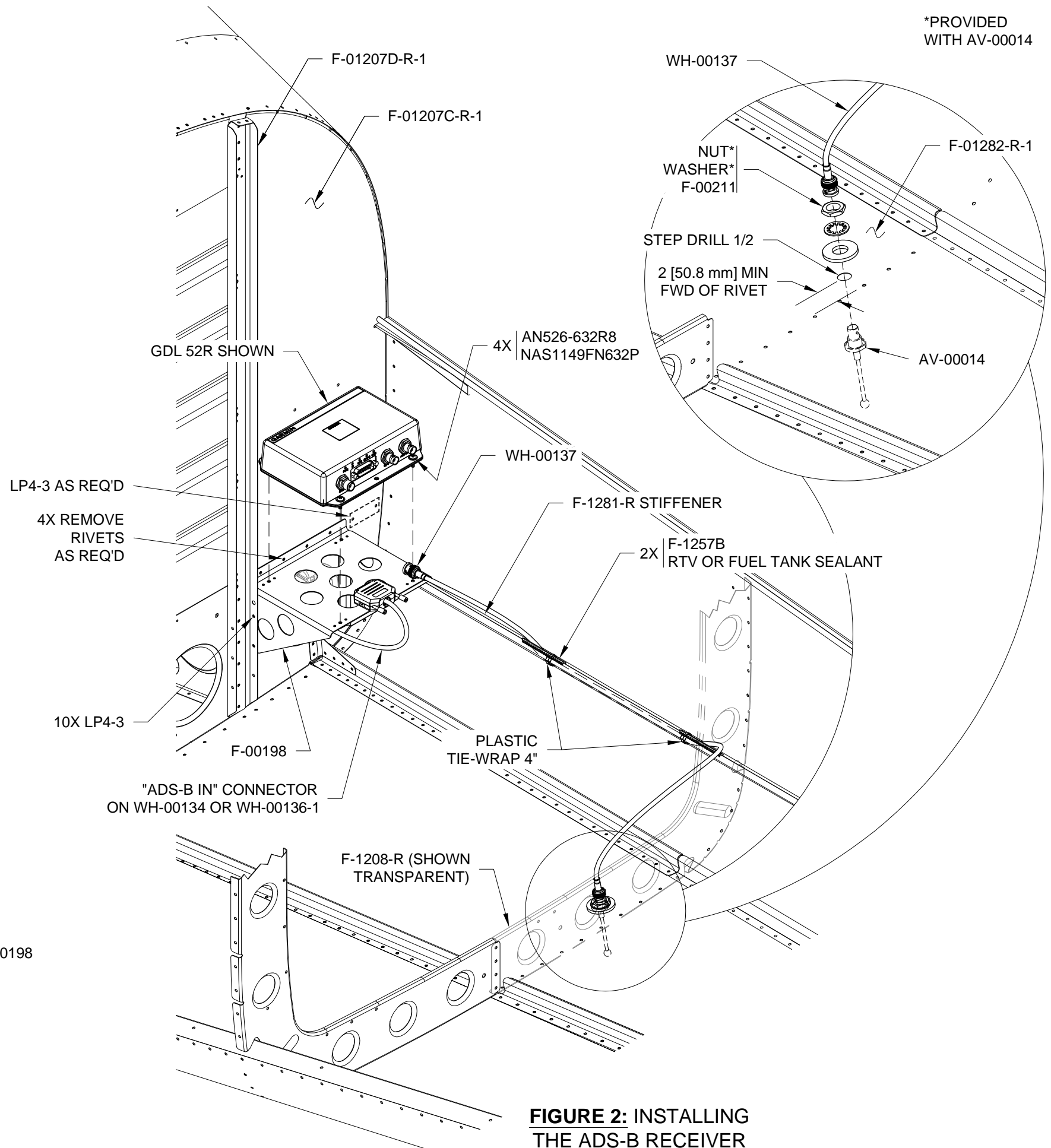
To prevent chafing, place two strips of F-1257B "cat track" (MS21266-1N) between the WH-00137 and the F-1281-R stiffener where the WH-00137 enters/exits the stiffener as shown in Figure 2.

Adhere the F-1257B to the stiffener using small amounts of RTV or fuel tank sealant.

END OF SECTION



**FIGURE 1: F-00198 GDL 5XR BRACKET**



**FIGURE 2: INSTALLING THE ADS-B RECEIVER**