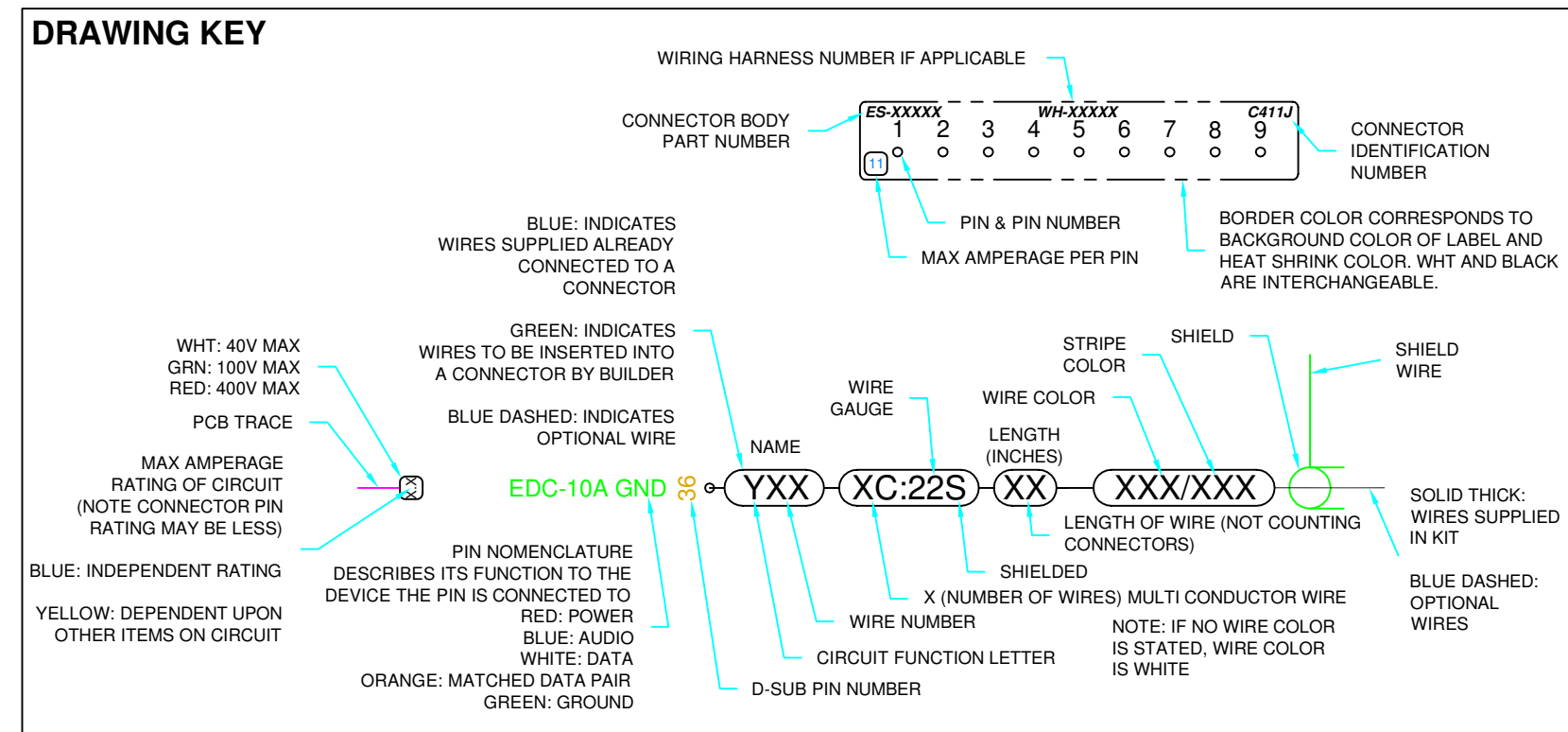


CIRCUIT LETTER FUNCTION	
LETTER	CIRCUITS
C	CONTROL SURFACE INSTRUMENT
D	ENGINE INSTRUMENT
E	FLIGHT INSTRUMENTS
F	HEATING VENTILATING
H	IGNITION
J	ENGINE CONTROL
K	LIGHTING
L	POWER CONTROL
P	FUEL
Q	RADIO
R	HEADPHONE
RZ	SPECIAL ELECTRONIC
T	RADIO CONTROL
TC	AIRBORNE ANNOUNCING
TD	BEACON
TP	TRANSMITTER RECEIVER
TQ	WARNING EMERGENCY
W	



**WIRE HARNESS NOTES**

- USE M22759/16 OR M27500 TEFZEL AIRCRAFT WIRE. CONTACT VAN'S ABOUT USING OTHER EQUIV.
- USE MIL-I-23053 HEATSHRINK. CONTACT VAN'S ABOUT USING OTHER EQUIV.
- LABEL THE FLYING LEAD OF EACH WIRE WITH THE TRUNCATED NOMENCLATURE AND WIRE NUMBER.
- CONNECT ALL 20-24 AWG WIRES TO D-SUBS USING ES-SA01017 SOCKETS OR ES-SA-1018 PINS. PERMISSIBLE TO STRIP 18 AWG WIRE TO FIT ES-SA01017 SOCKETS OR ES-SA-1018 PINS. ALL CRIMPS TO BE MADE PER MIL-C-22520F (1.2.2) USING A TYPE 1 TOOL.
- USE ONLY NOR-COMP BACKSHELLS ON D-SUB CONNECTORS (WITH THE EXCEPTION OF 50-PIN CONNECTORS)
- HARNESS MUST BE TESTED WITH ALL AVIONICS IN ACCORDANCE WITH THE "ELECTRICAL SYSTEM BENCH TEST PROCEDURE". RESULTS ARE TO BE SUPPLIED TO VAN'S FOR EACH HARNESS.
- CRIMPED MOLEX, TYCO, AND AMP TERMINALS ARE TO BE CRIMPED WITH THE MANUFACTURER'S RECOMMENDED CRIMPING TOOL.
- CRIMPED TERMINALS ARE TO BE INDIVIDUALLY PULL TESTED.
- DO NOT COVER WIRES WITH WIRE NET.
- HARNESSES ARE TO BE BUNDLED WITH LACING CHORD, WITH THE EXCEPTION OF BLUE TIE-WRAPS USED AT BULKHEAD STATIONS.
- ALL 3 CONDUCTOR JACKETED NON-SHIELDED WIRE MAY BE REPLACED WITH TWISTED WIRES OF THE SAME AWG SIZE AND THE SAME WIRE COLOR.

**ELECTRICAL SYSTEM BENCH TEST PROCEDURE**

- Avionics Group**
1. Check PFD & MFD Power On
  2. SkyView Check PFD and MFD recognize a USB stick
  3. Install latest software and settings per the readme files (applicable portions) on the Van's Web Site
    - a. Setup X Pndr Hex Code
    - b. Setup AP servos if installed
  4. Check PFD & MFD recognize all LRU's
  5. Check X pndr will transmit.
  6. Check COM turns on.
  7. Check PFD recognizes COM, and can push frequencies to COM radio
  8. Check Backup Battery Function PFD
  9. If installed check AP Control Head function (knobs function for SkyView as well)
- Audio Group**
- NOTE: If customer has selected the pre-wired stick option then use their control sticks
1. Check Pilot TX Button
  2. Check Pilot Trim Buttons (Both Directions)
    - a. Verify proper trim direction movement on screen indicator and servo with input
  3. Check Co-Pilot TX Button
  4. Check Co-Pilot Trim Buttons (Both Directions)
    - a. Verify proper trim direction movement on screen indicator and servo with input
  5. Check function of AP disconnect switch near throttle.
  6. Check Pilot AP Disconnect Switch
  7. Check Co-Pilot AP Disconnect Switch
  8. Check Pilot COM Freq Swap
  9. Check Co-Pilot Freq Swap
  10. Check Dimmer (Note PCB portion will be checked during AV-60000 Check)
    - a. Turn on all switches. Check that all lighted switches lights turn on and dim. (Ignore wires going to cabin light.)
  11. Check canopy latch switch
  12. Check flap motor function both directions
  13. Check for power output at USB connectors / Power Outlet
- Wing Group**
1. Check Stall Warning
  2. Check NAV/Strobe Lights
  3. Check Landing Lights (Both if applicable)
  4. Check Wig Wag Function

**GTR 200 INTERNAL PRESETS**

- "MENU" BUTTON OPTIONS
- MUSIC VOL 75%
  - ICS VOL 80%
  - ICS SOLCH AUTO
  - COM MUTE ON
  - COM MUTE ICS OFF
  - ICS MUTE MUSIC OFF
  - MUTE LEVEL FULL
  - COM 3D ON
  - ICS 3D ON
  - COCKPIT NOISE NORMAL
  - MUSIC BASE BOOST OFF
  - MUSIC EQ OFF
  - KEY BEEP VOL 50%
  - CONTRAST +0

**INTERNAL MENU SETTINGS**

- SIDETONE 05
- MIC GAIN 05
- RF SOLCH 00
- MON SWAP ON
- INTERCOM ENABLE YES
- RECIEVE OUT GAIN 100%
- AUX 1 SOLCH 30%
- AUX 1 VOL 50%
- AUX 1 MUTE NO
- AUX 2 SOLCH 30%
- AUX 2 VOL 50%
- AUX 2 MUTE NO
- PILOT RT NO

**SOFTKEY SETUP**

- 1 USER LISTS
- 2 TUNE EMERGENCY

**DISCRETE SETUP**

- 1 FREQ SWAP
- 2 DISABLED

**LIGHTING SOURCE 14V**

- GTR 200 PRESET NOTES:
- ALL SETTINGS NOT DEFINED BY THIS DRAWING ARE ACCEPTABLE AS CONFIGURED FROM MANUFACTURER.
  - THE ABOVE SETTINGS CORRESPOND TO SOFTWARE SYS 2.60.

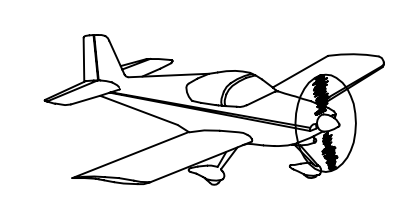
REV	DESCRIPTION	DATE	APPROVAL
R0	INITIAL RELEASE	12/01/18	TDN
R1	ON PAGE 9 "EA-F4122" WAS "EA-F4120"	12/18/18	RLJ
R2	ADDED PANEL PTT	01/04/19	TDN
R3	W7205 WAS W6077, MINOR CORRECTIONS	11/08/19	BPN

**TRIG TY96 INTERNAL PRESETS**

- INTERCOM VOLUME:
- AUX IN VOLUME:
- MUSIC IN VOLUME:
- SIDETONE VOLUME:
- INTERCOM SOLCH:
- MIC 1 GAIN:
- MIC 2 GAIN:
- RADIO SOLCH:

**TY96 PRESET NOTES:**

- SET FREQUENCY STEP SIZE APPROPRIATE FOR REGION.
- ALL SETTINGS NOT DEFINED BY THIS DRAWING ARE ACCEPTABLE AS CONFIGURED FROM MANUFACTURER.



VAN'S AIRCRAFT, INC. 14401 NE KEIL RD. NE AURORA, OR 97002 USA

**ROTAX 912ULS SKYVIEW ELECTRICAL SYSTEM**

DATE DRAWN: 12/01/18

DRAWN BY: T. DE MAN

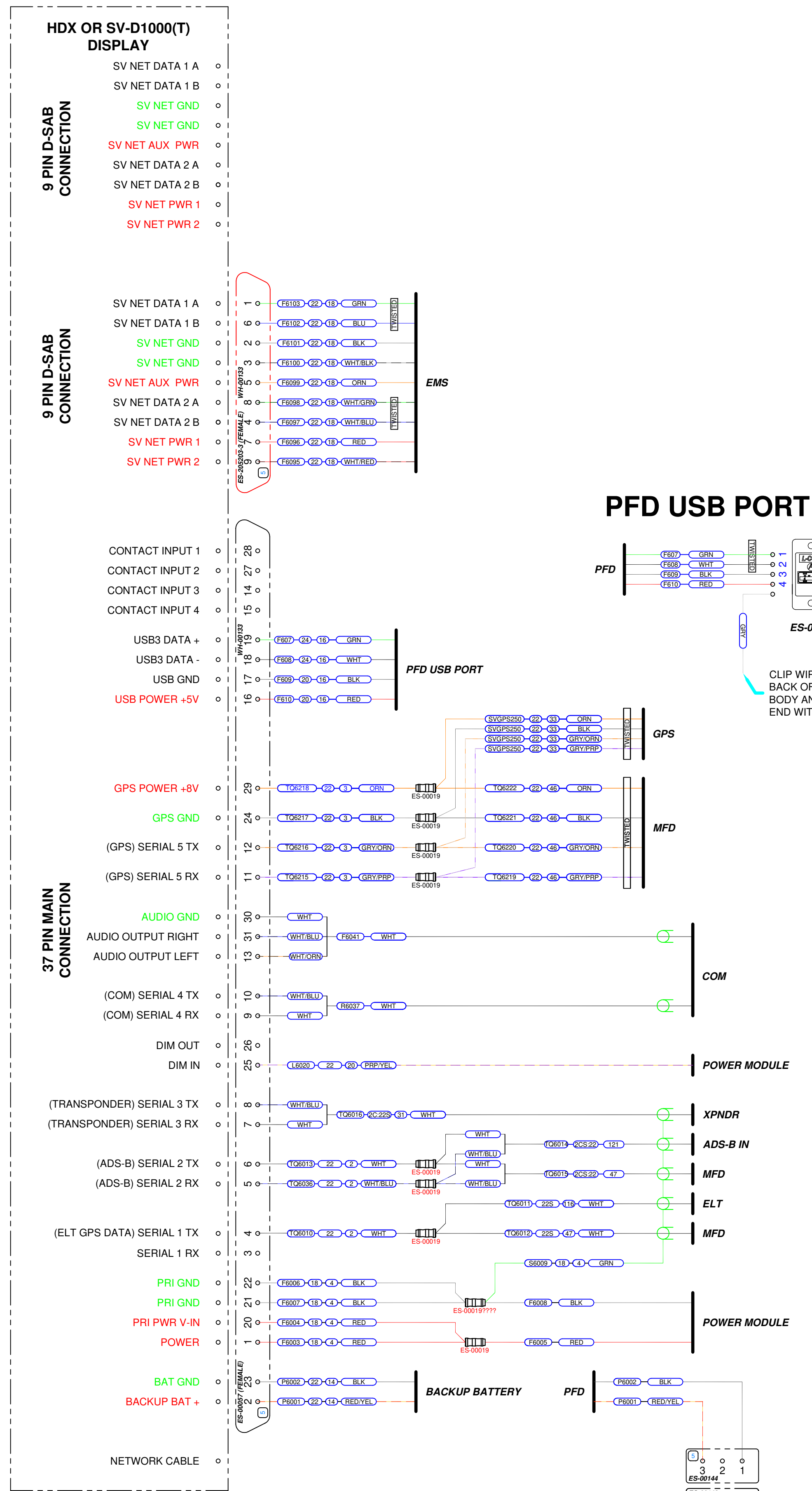
TOLERANCES: NONE (UNLESS OTHERWISE SPECIFIED)

UNITS: INCHES WH-00139

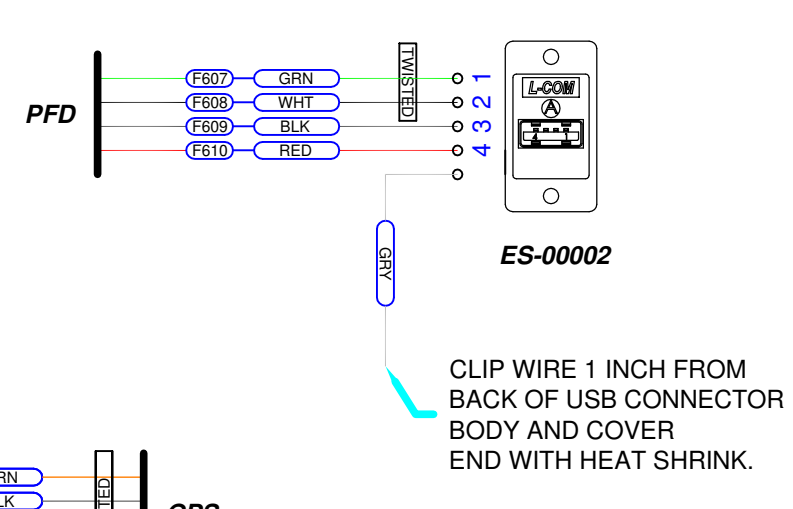
SCALE: NONE PAGE: 1 OF 9

PATH:FILENAME: Q:\RV-12\System IS\Electrical System IS\Electrical System 912ULS SkyView (WH-00139).DWG C-SIZE ORIGINAL

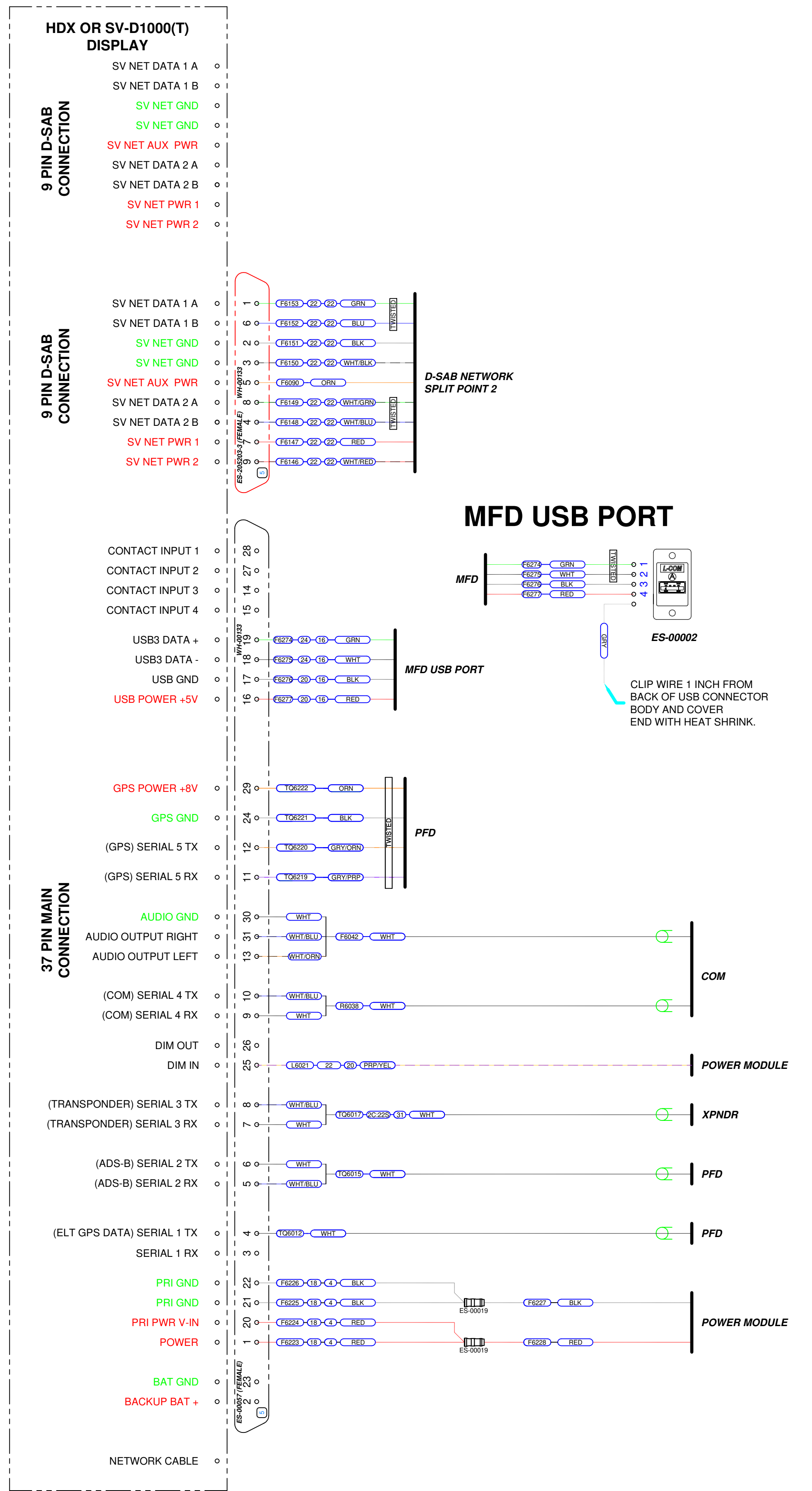
### PFD



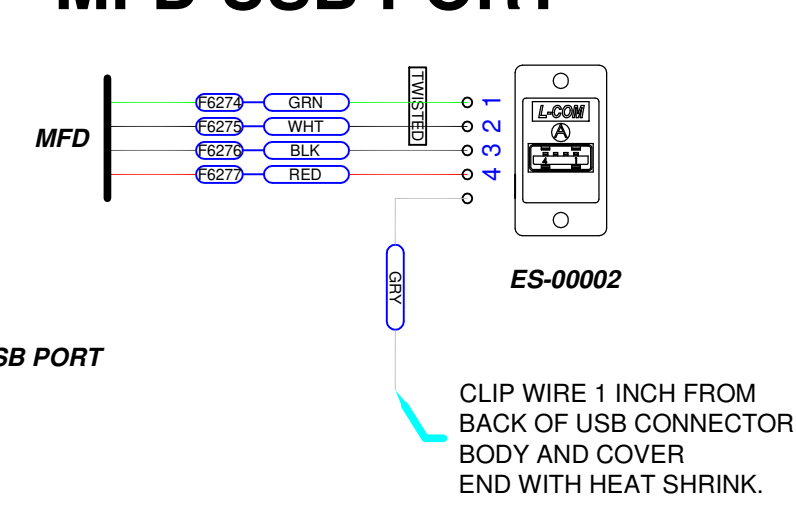
### PFD USB PORT



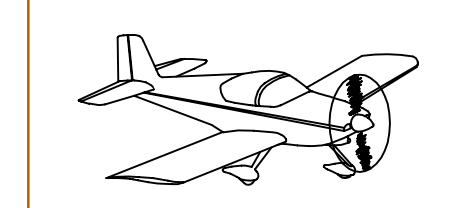
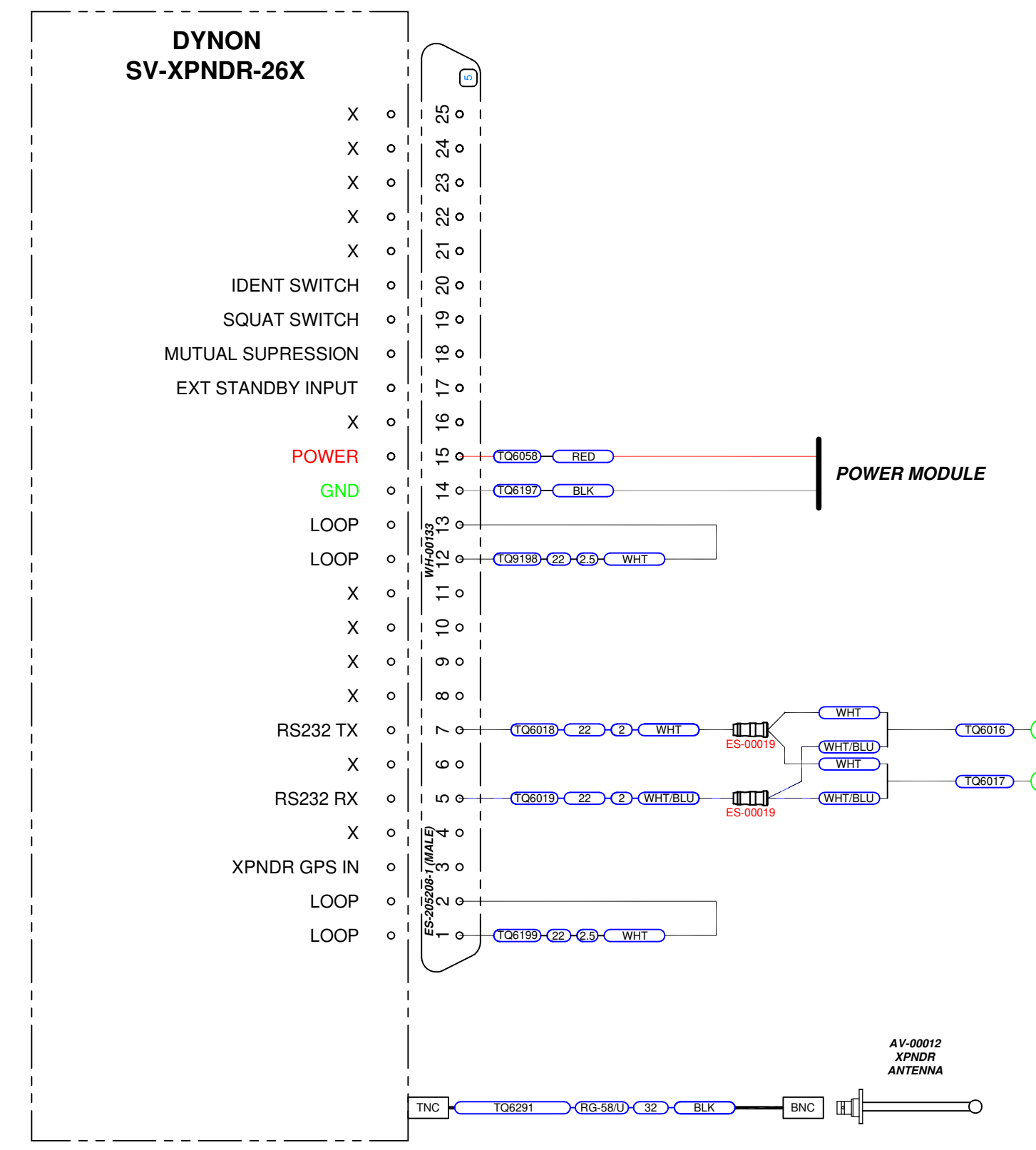
### MFD



### MFD USB PORT



### XPNDR



VAN'S AIRCRAFT, INC. 14401 NE KEIL RD. NI AURORA, OR 97002 USA

## ROTAX 912ULS SKYVIEW ELECTRICAL SYSTEM

DATE DRAWN: 12/01/18

DRAWN BY: T. DE MAN  
TOLERANCES: NONE  
(UNLESS OTHERWISE SPECIFIED)

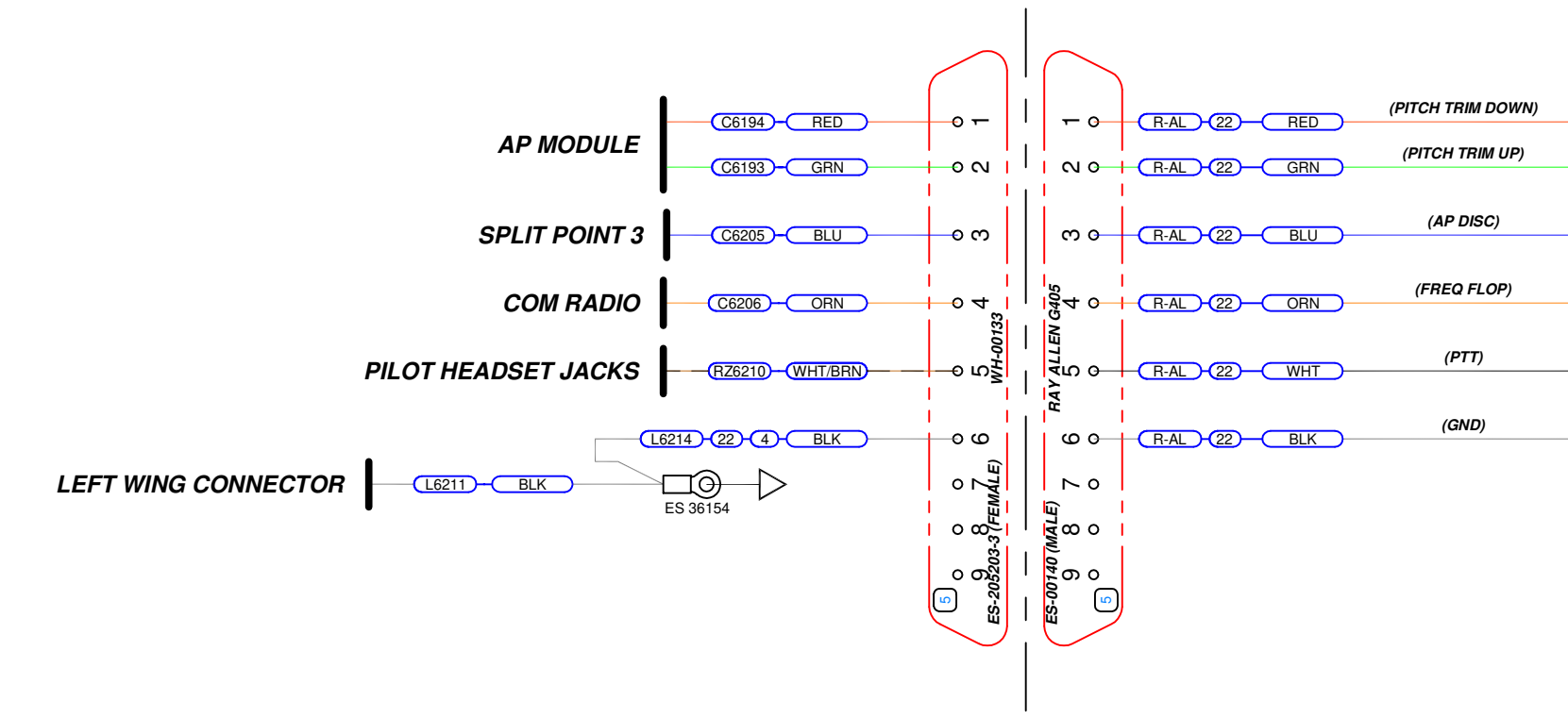
UNITS: INCHES  
SCALE: NONE  
PAGE: 2 OF 9

PATH:FILENAME: Q:\RV-12\System 912\Electrical System 912\Electrical System 912ULS SkyView (WH-00139).DWG C-SIZE ORIGINAL

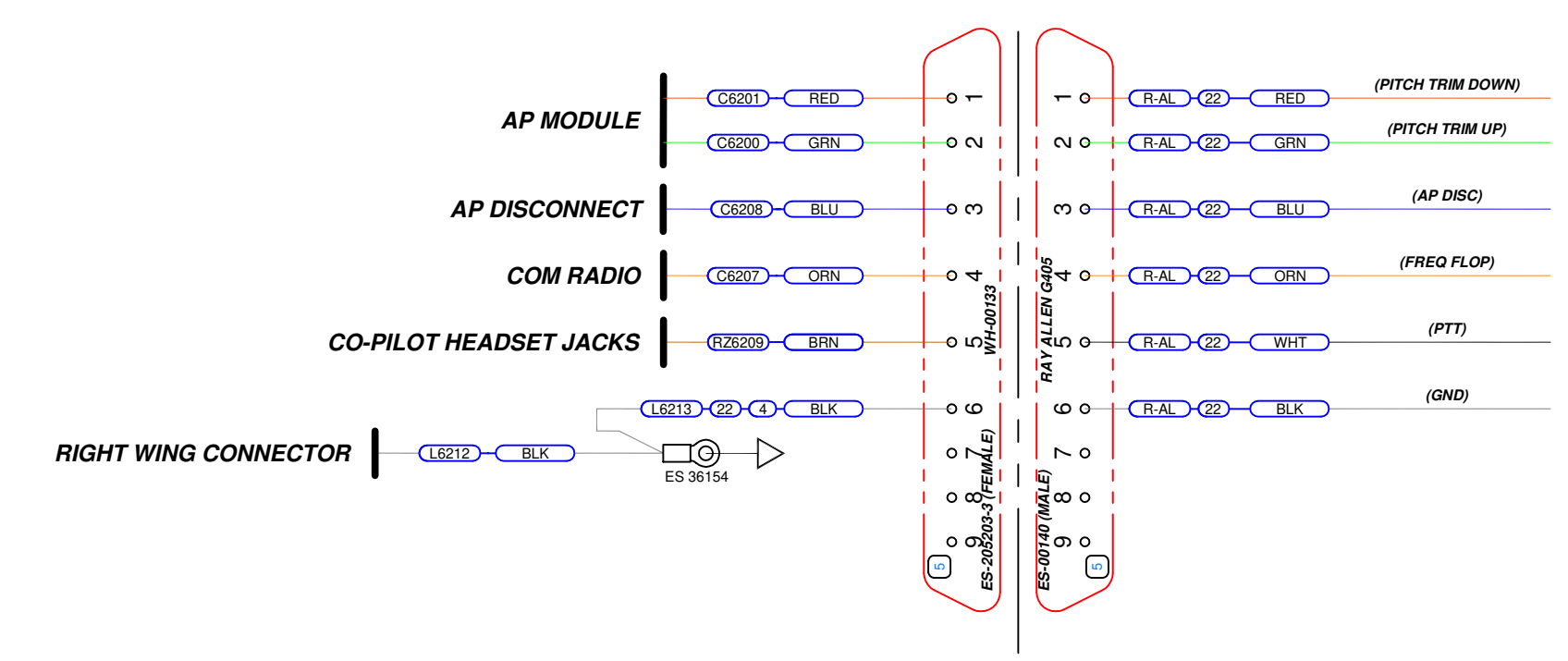


REV	DESCRIPTION	DATE	APPROVAL
R3	SEE PAGE 1		

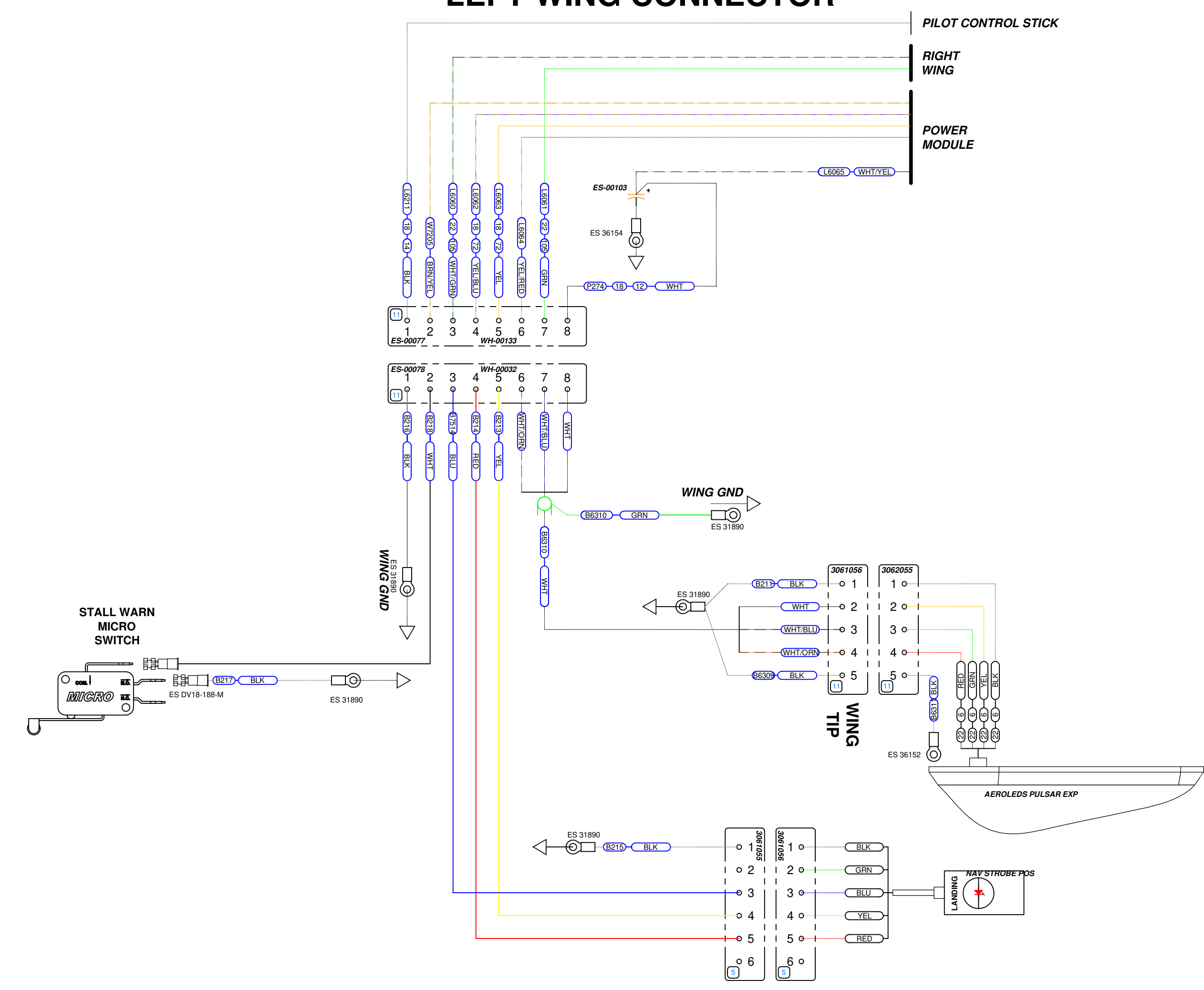
### PILOT STICK GRIP



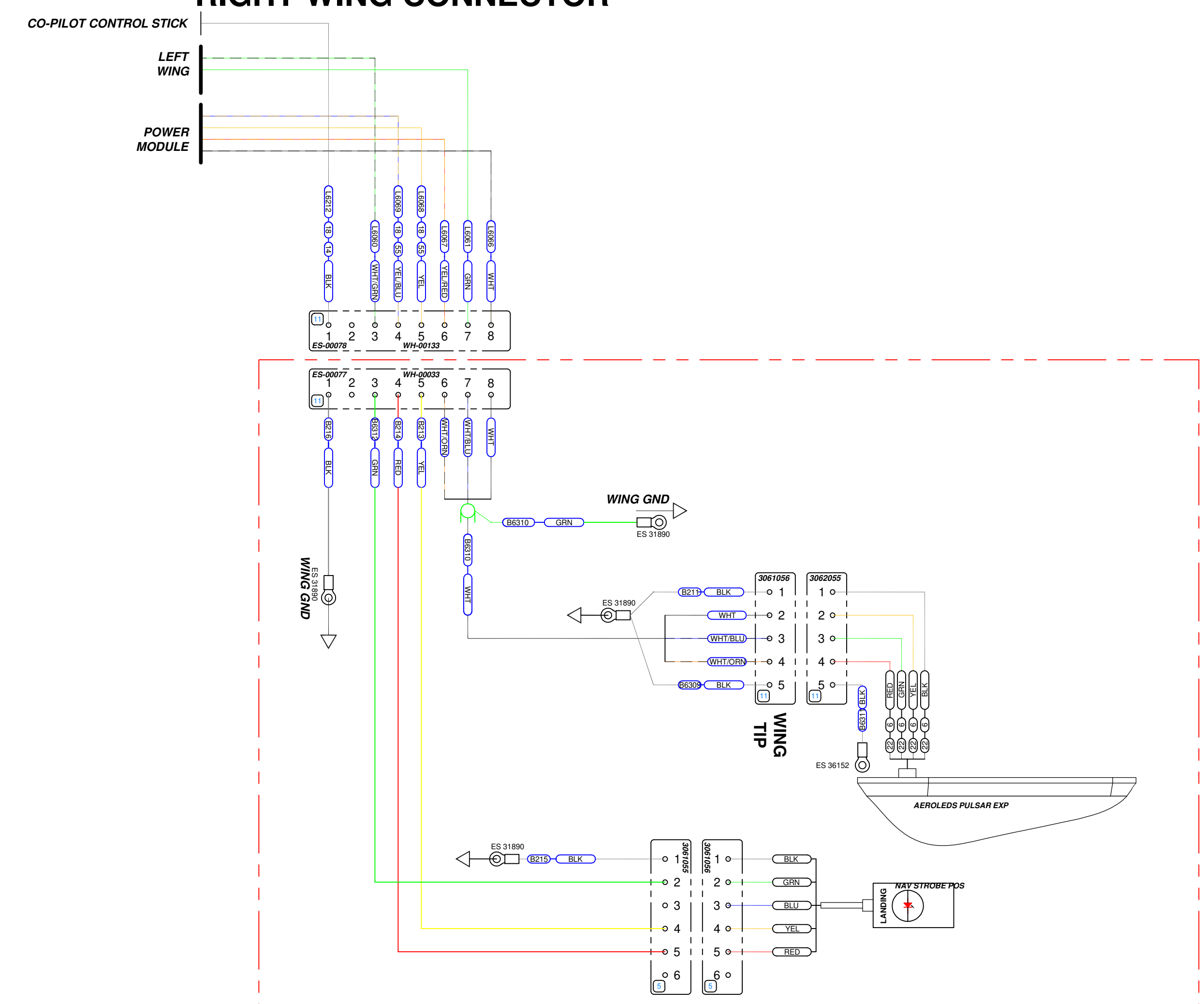
### CO-PILOT STICK GRIP



### LEFT WING CONNECTOR

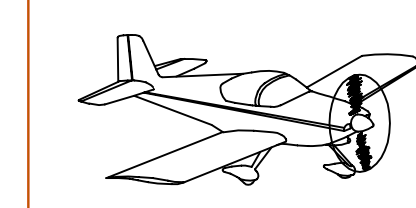


### RIGHT WING CONNECTOR



THESE COMPONENTS NOT INCLUDED IN AVIONICS KIT, NOR PART OF THE WH-00133.  
SEE WH-00032 AND WH-00033 RV-12IS WING HARNESS DRAWINGS

THESE COMPONENTS NOT INCLUDED IN AVIONICS KIT, NOR PART OF THE WH-00133.  
SEE WH-00032 AND WH-00033 RV-12IS WING HARNESS DRAWINGS



VAN'S AIRCRAFT, INC. 14401 NE KEIL RD. NE  
AURORA, OR 97002 USA

## ROTAX 912ULS SKYVIEW ELECTRICAL SYSTEM

DATE DRAWN: 12/01/18

DRAWN BY: T. DE MAN

TOLERANCES: NONE  
(UNLESS OTHERWISE SPECIFIED)

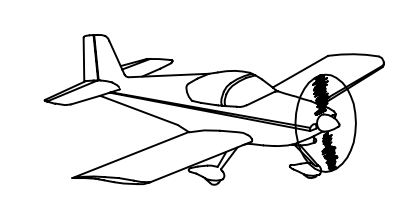
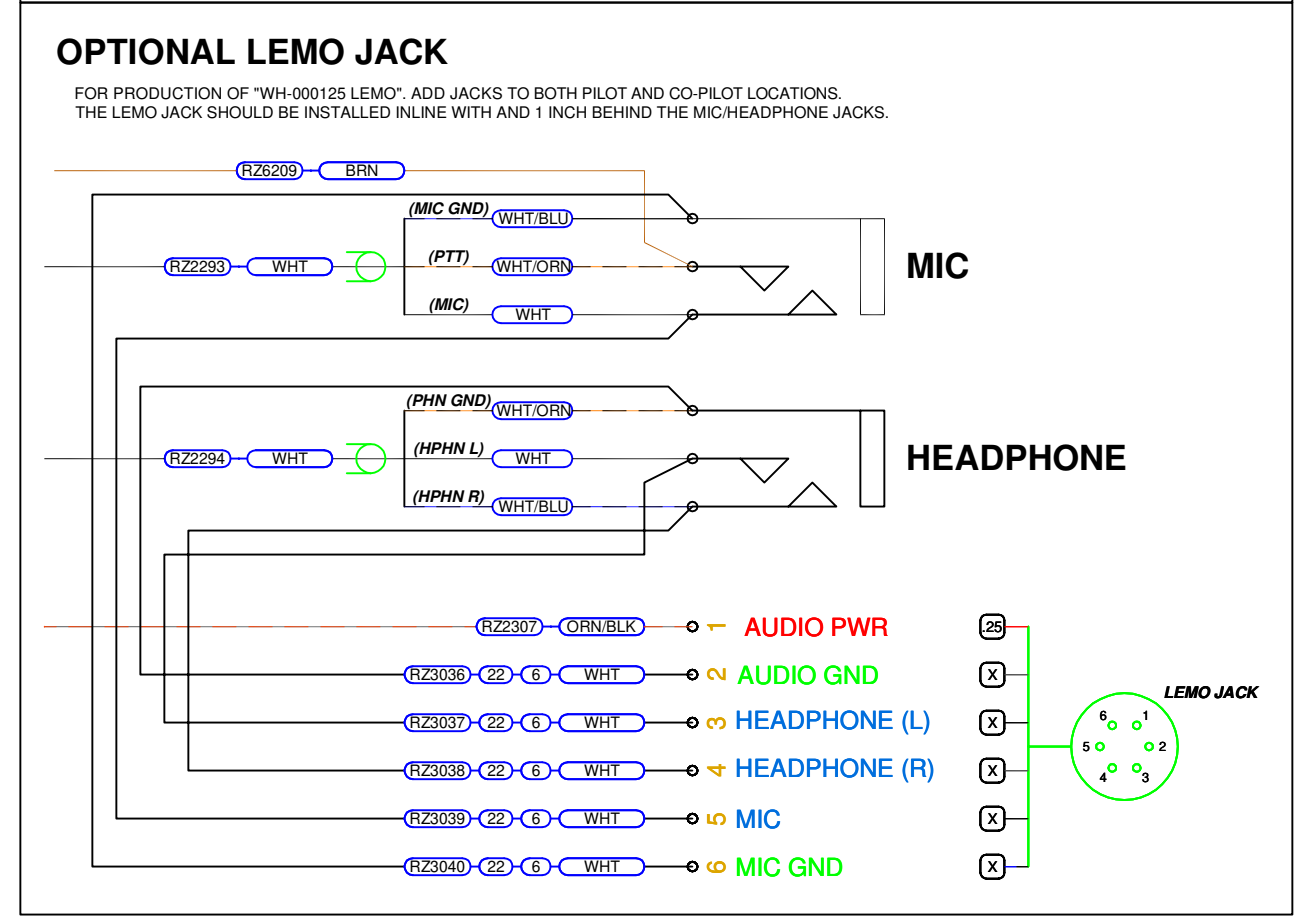
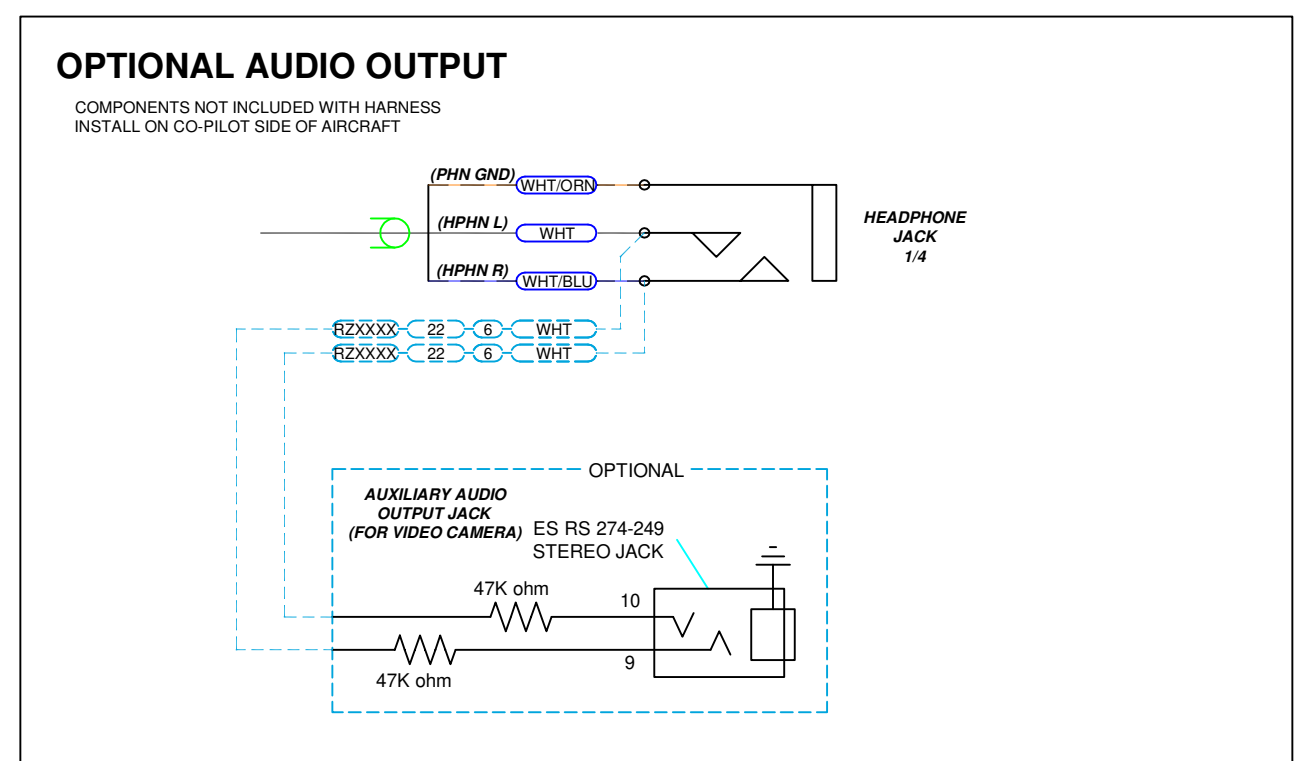
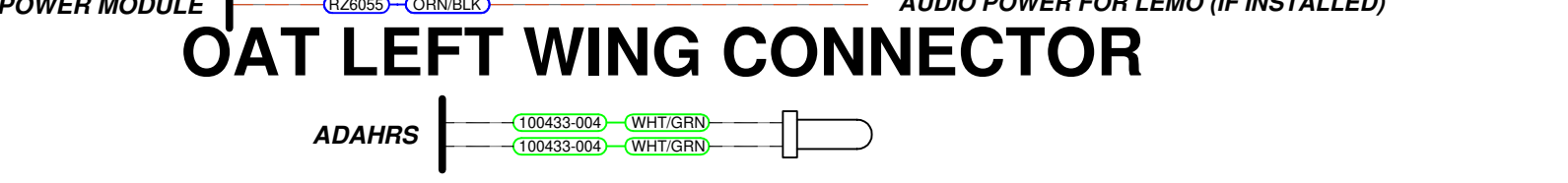
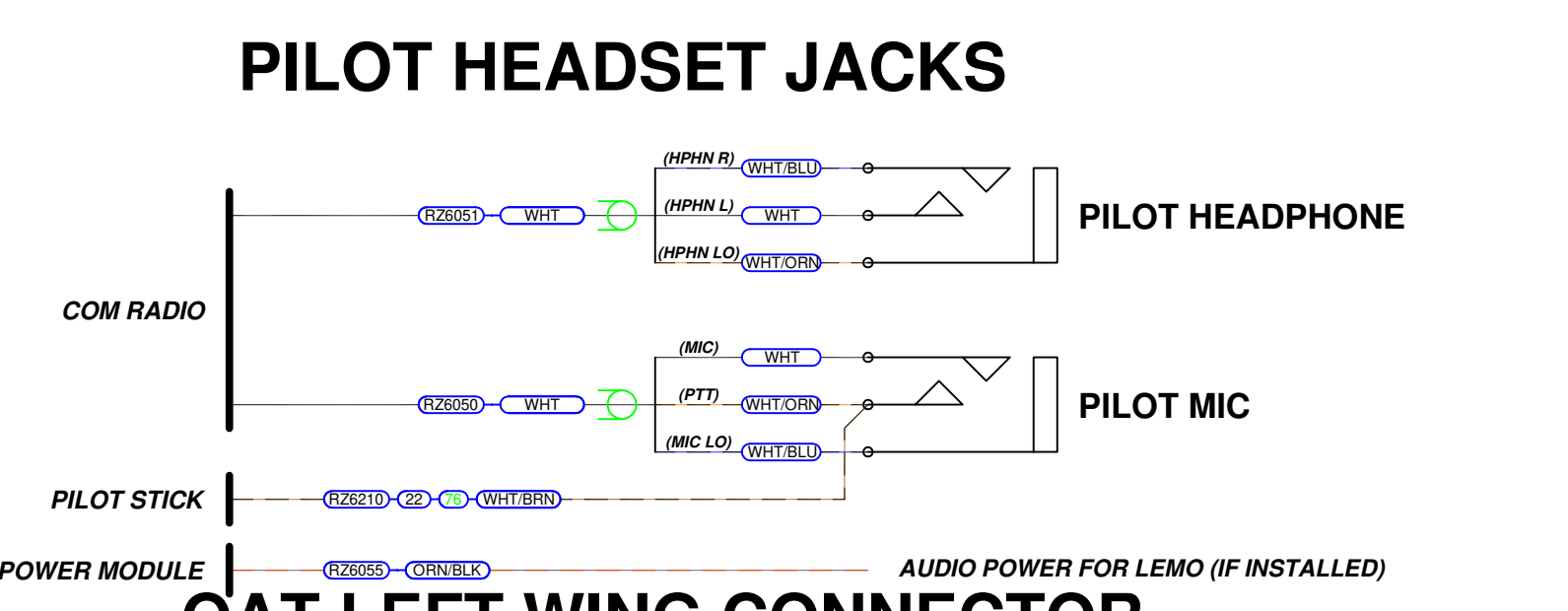
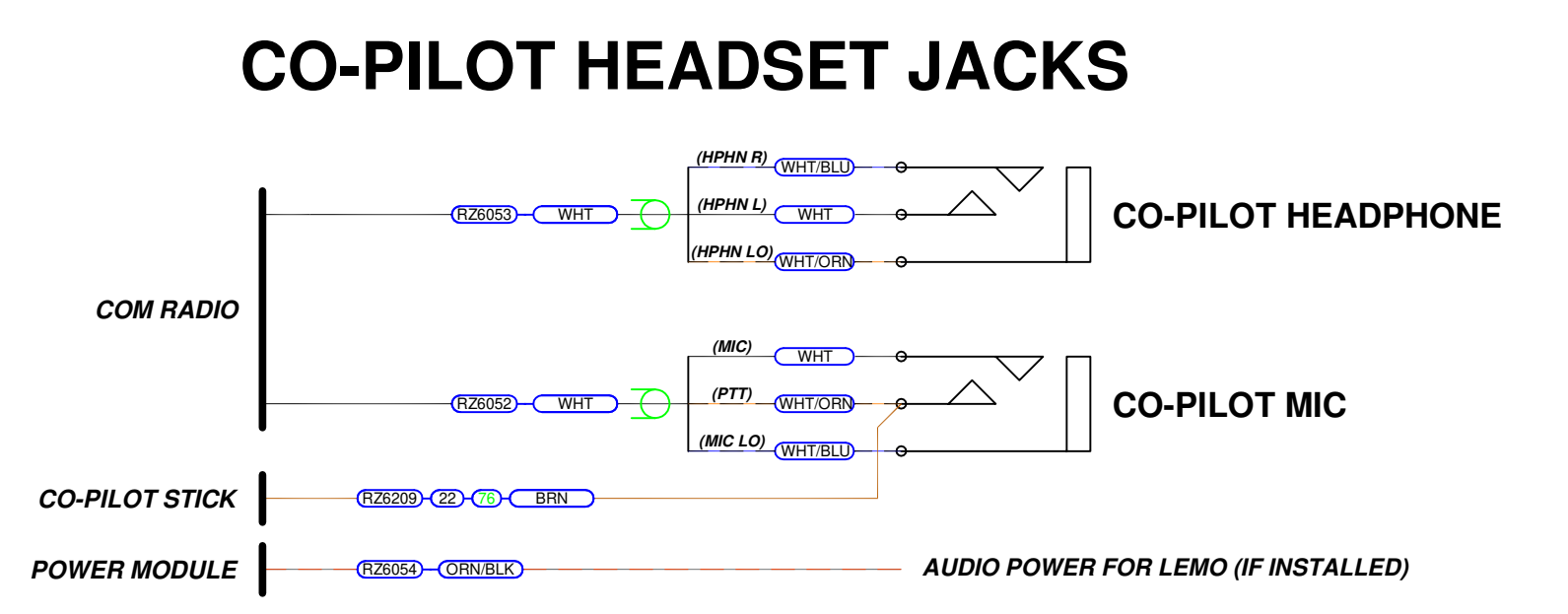
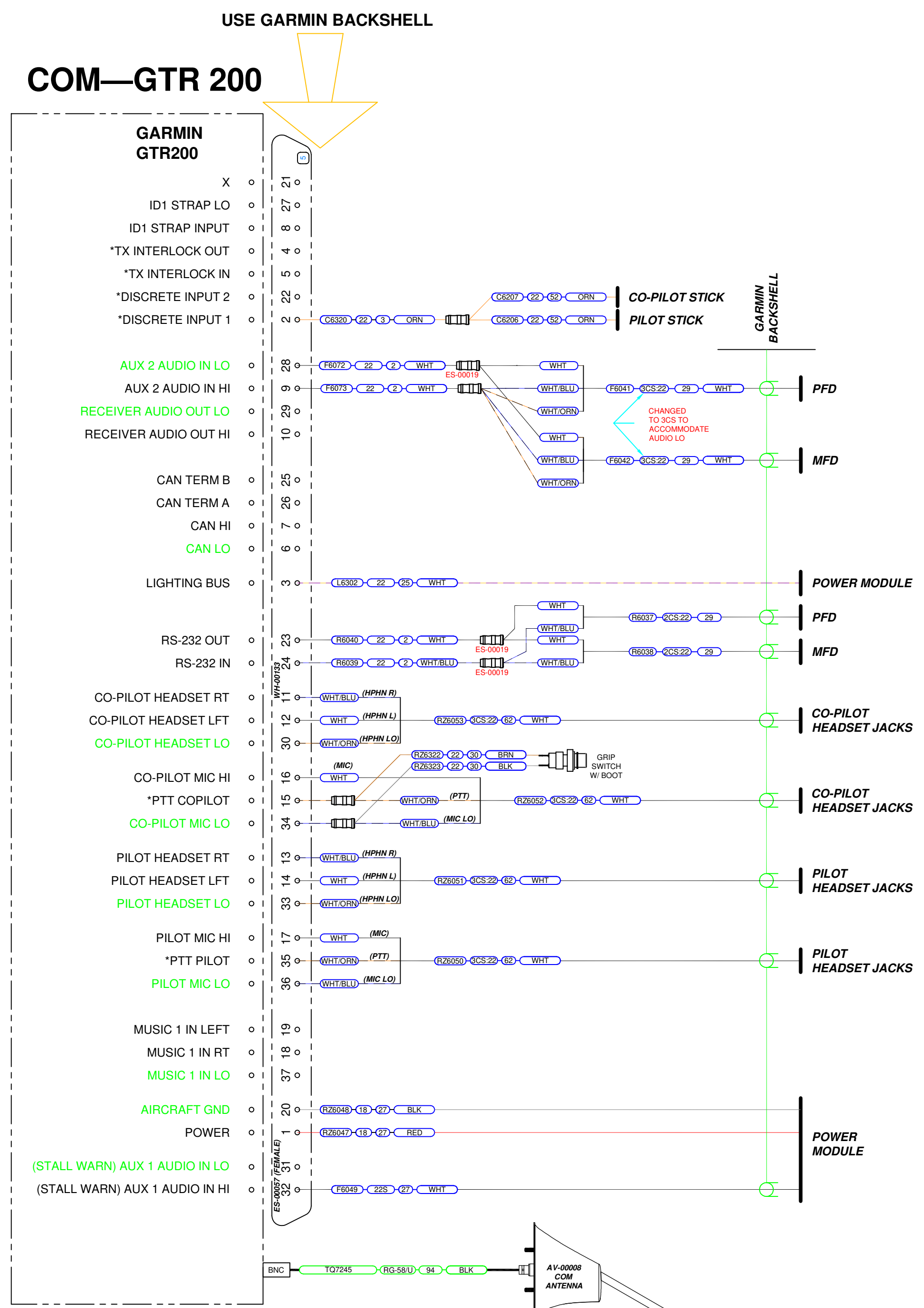
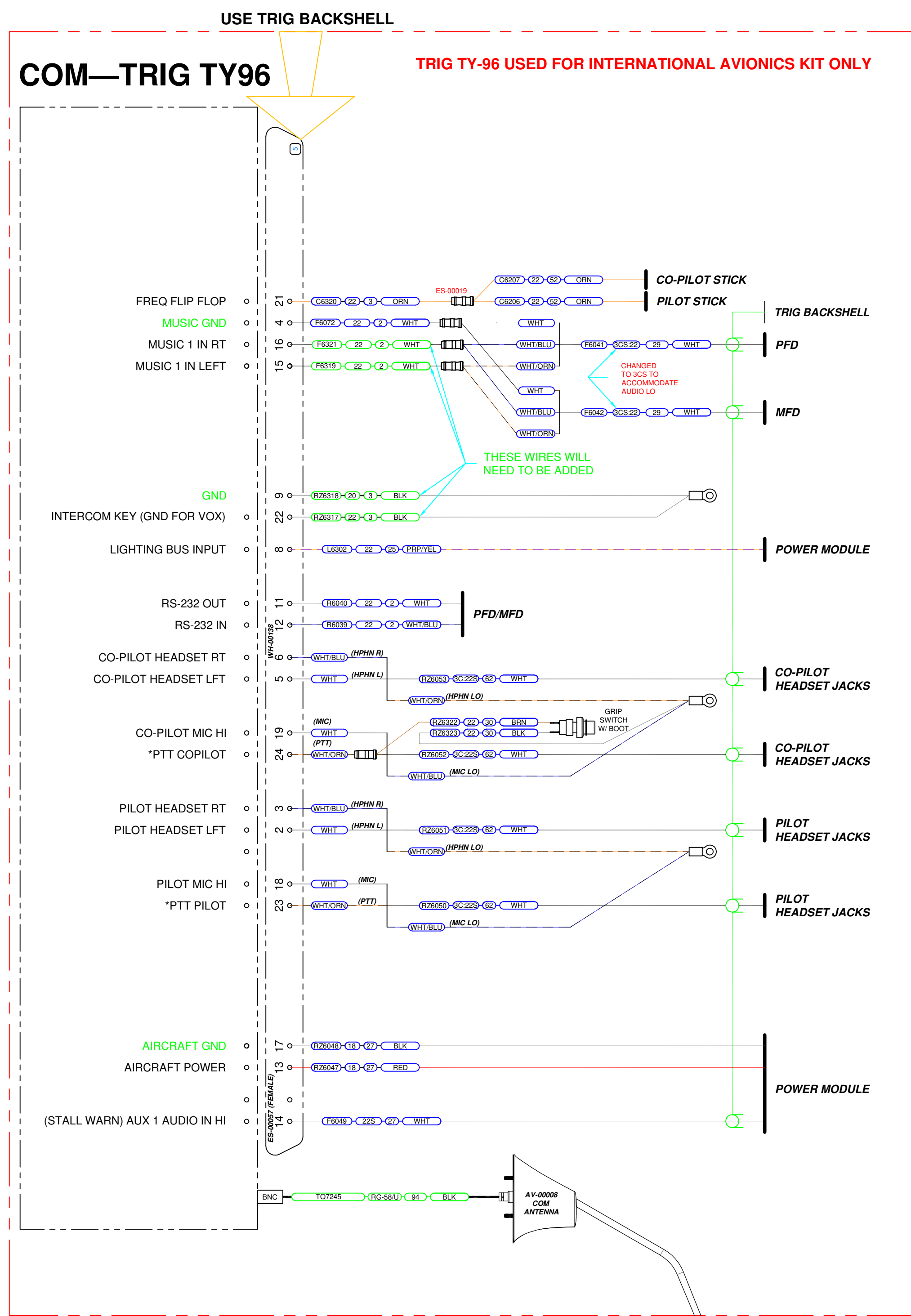
UNITS: INCHES  
SCALE: NONE

WH-00139

PAGE: 3 OF 9

PATH:FILENAME: Q:\RV-12\System IS\Electrical System IS\Electrical System 912ULS SkyView (WH-00139).DWG C-SIZE ORIGINAL

REV	DESCRIPTION	DATE	APPROVAL
R3	SEE PAGE 1		



VAN'S AIRCRAFT, INC. 14401 NE KEIL RD. NI AURORA, OR 97002 USA

## ROTAX 912ULS SKYVIEW ELECTRICAL SYSTEM

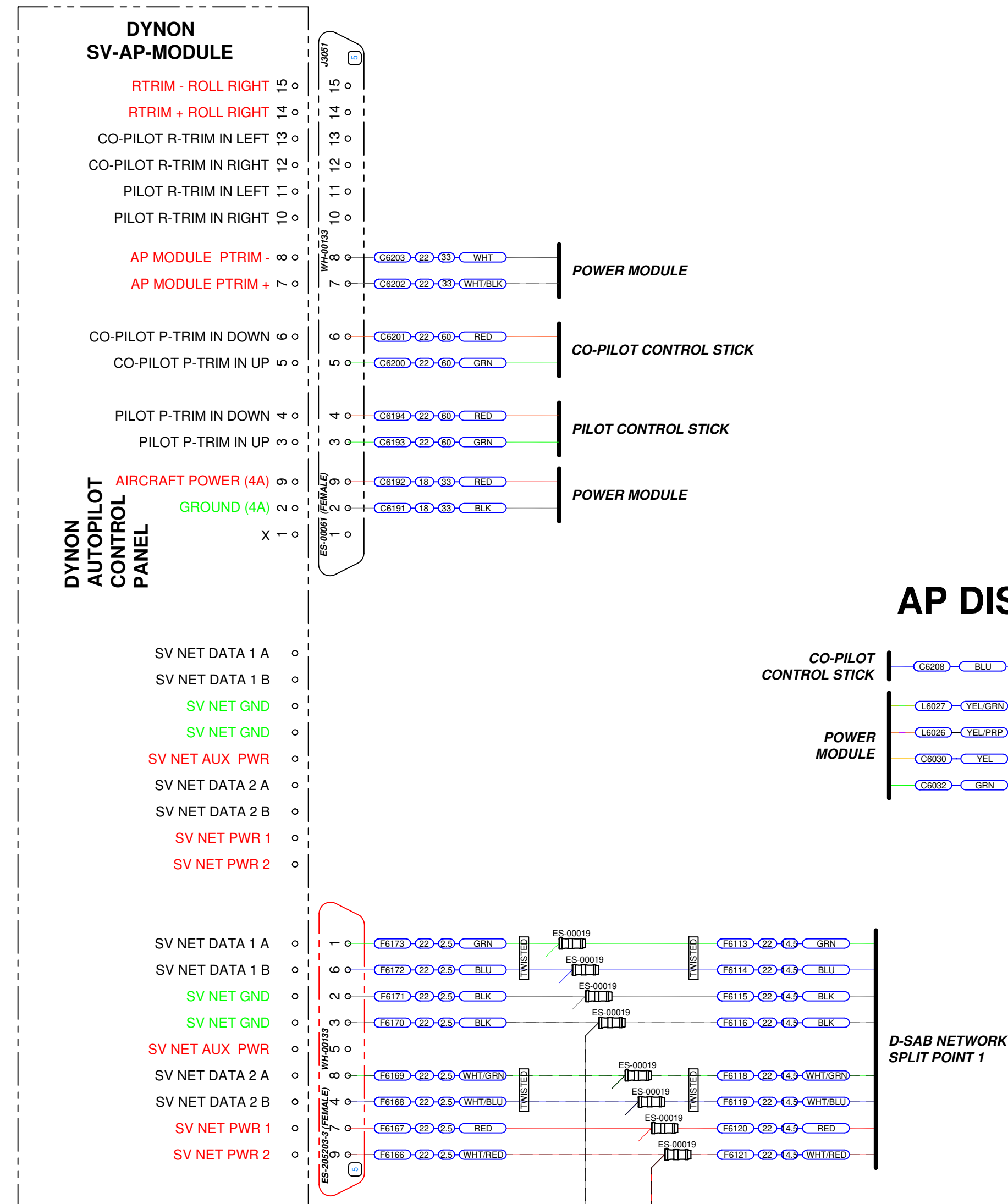
DATE DRAWN: 12/01/18

DRAWN BY: T. DE MAN  
TOLERANCES: NONE  
(UNLESS OTHERWISE SPECIFIED)

UNITS: INCHES  
SCALE: NONE  
PAGE: 4 OF 9

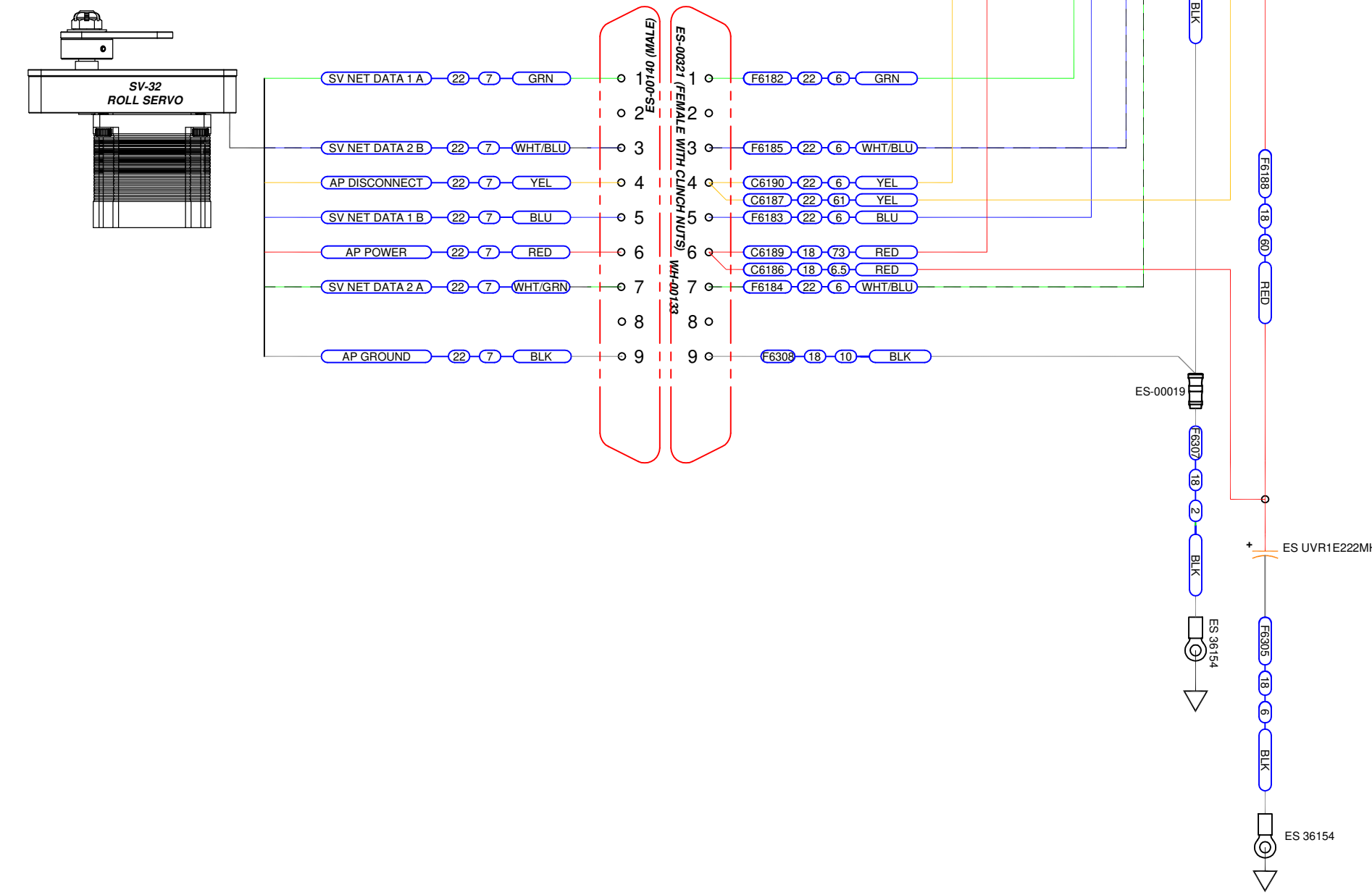
PATH:FILENAME: Q:\RV-12\System IS\Electrical System IS\Electrical System 912ULS SkyView (WH-00139).DWG C-SIZE ORIGINAL

## AP MODULE



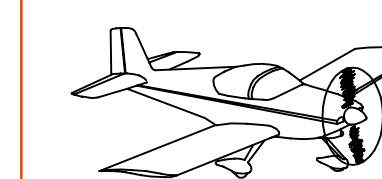
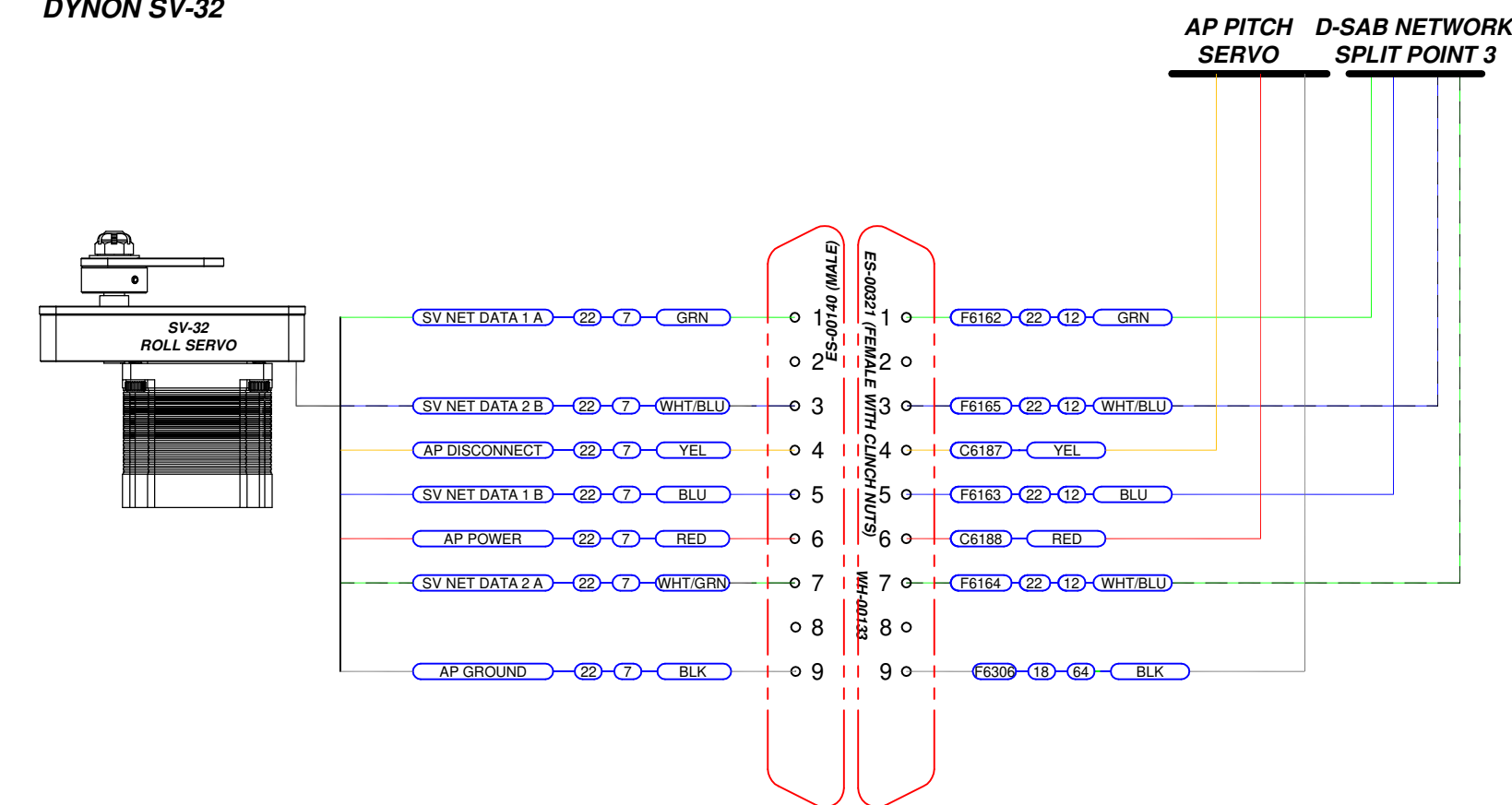
## AUTOPILOT PITCH SERVO

DYNON SV-32



## AUTOPILOT ROLL SERVO

DYNON SV-32



VAN'S AIRCRAFT, INC.

14401 NE KEIL RD. NE  
AURORA, OR  
97002 USA

## ROTAX 912ULS SKYVIEW ELECTRICAL SYSTEM

DATE DRAWN: 12/01/18

DRAWN BY: T. DE MAN

TOLERANCES: NONE  
(UNLESS OTHERWISE SPECIFIED)

UNITS:  
INCHES

WH-00139

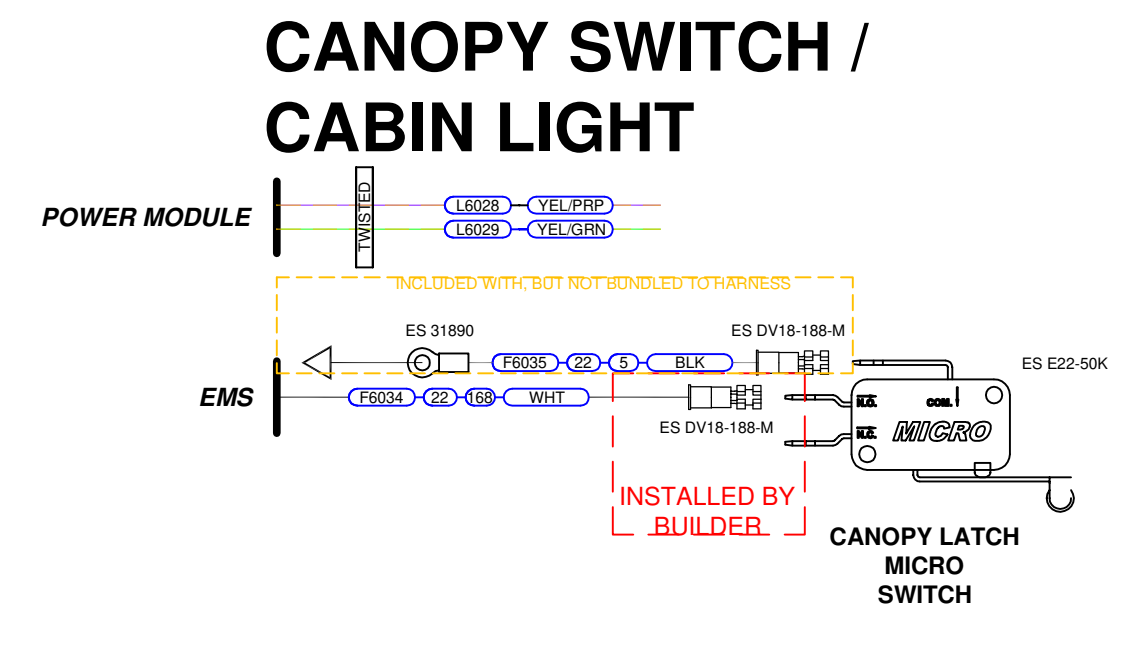
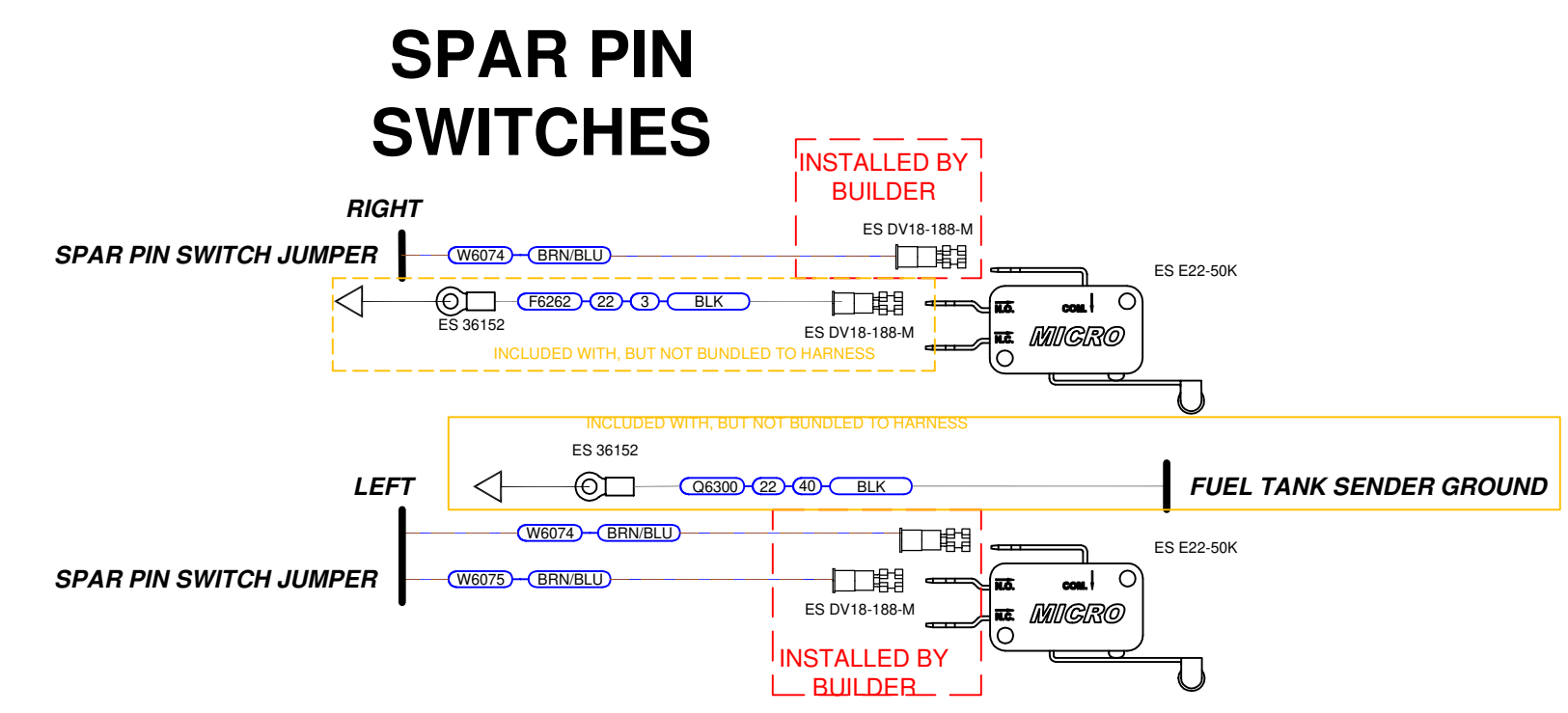
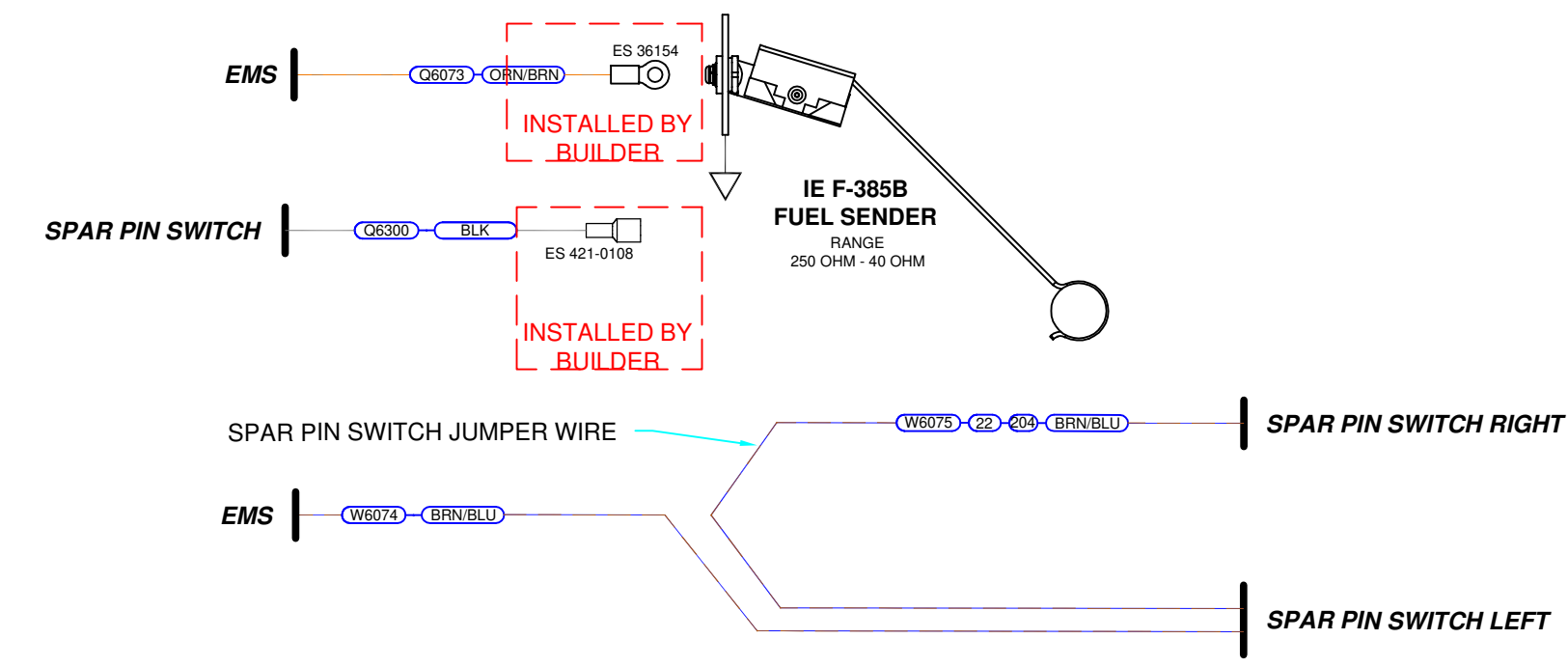
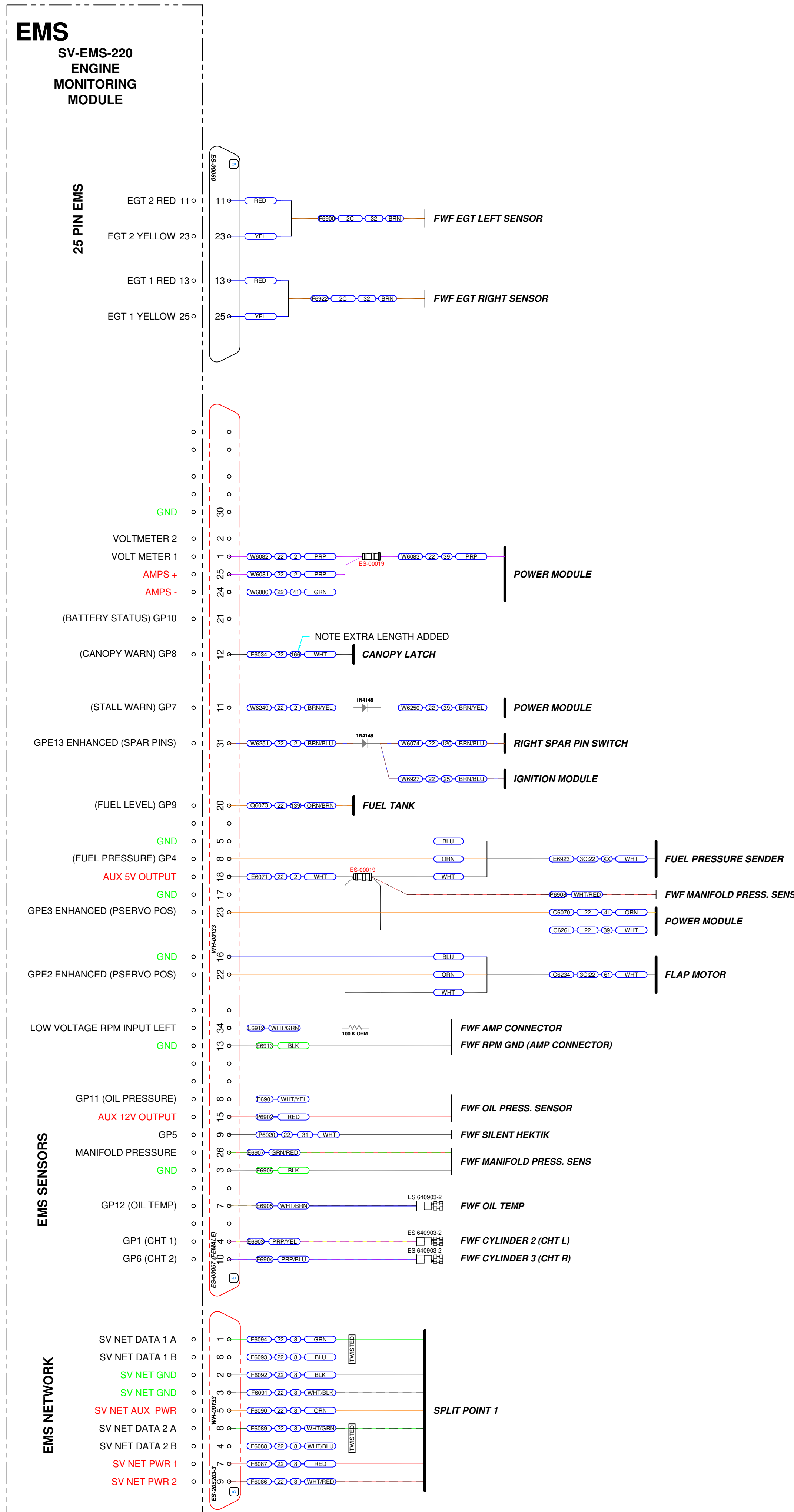
SCALE: NONE

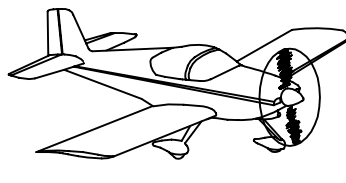
PAGE: 5 OF 9

PATH:FILENAME: Q:\RV-12\Systems IS\Electrical System IS\Electrical System 912ULS SkyView (WH-00139).DWG C-SIZE ORIGINAL







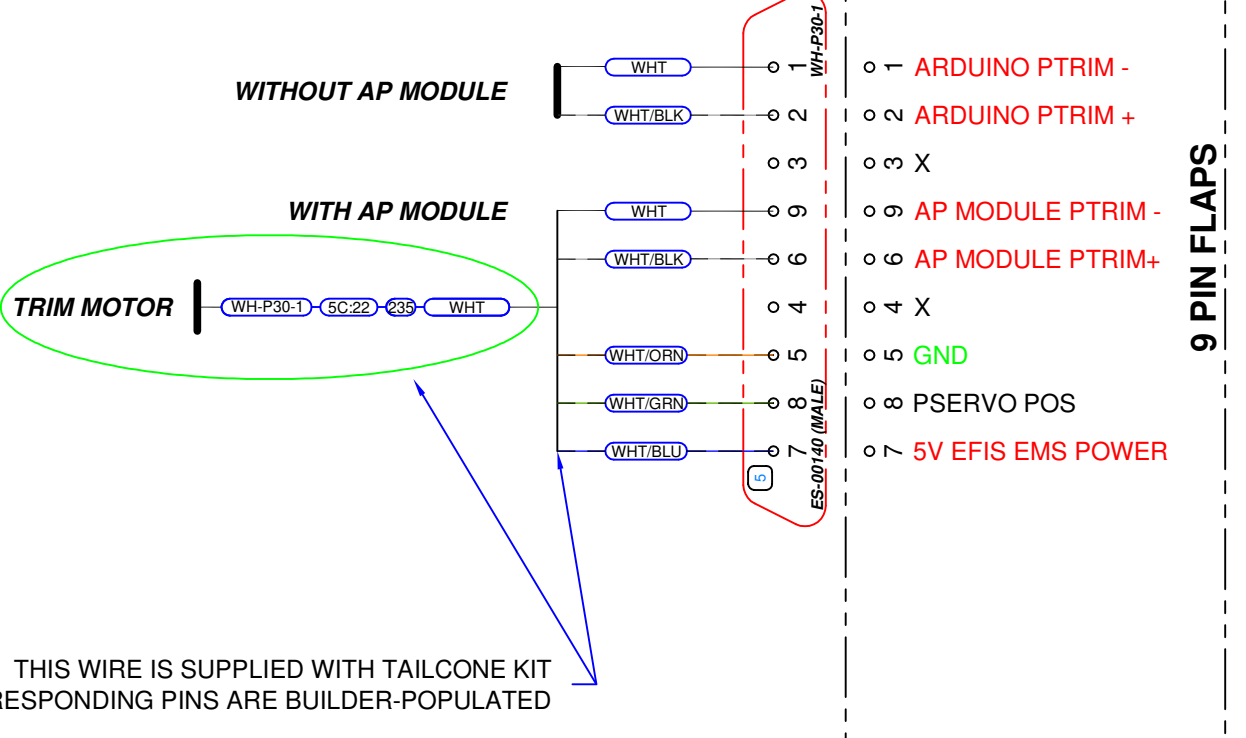
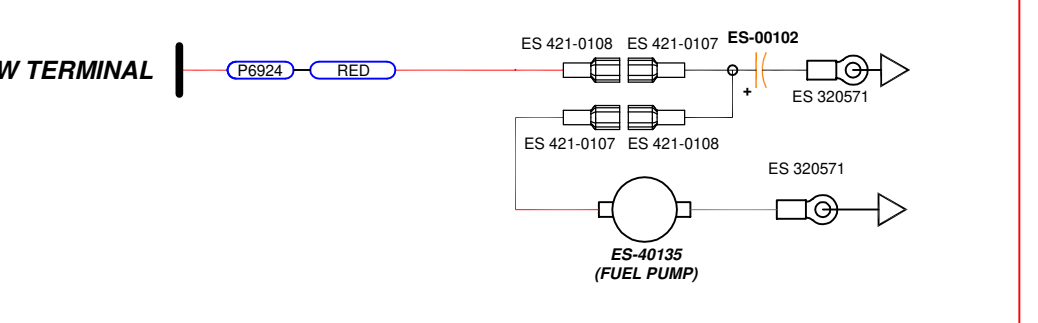
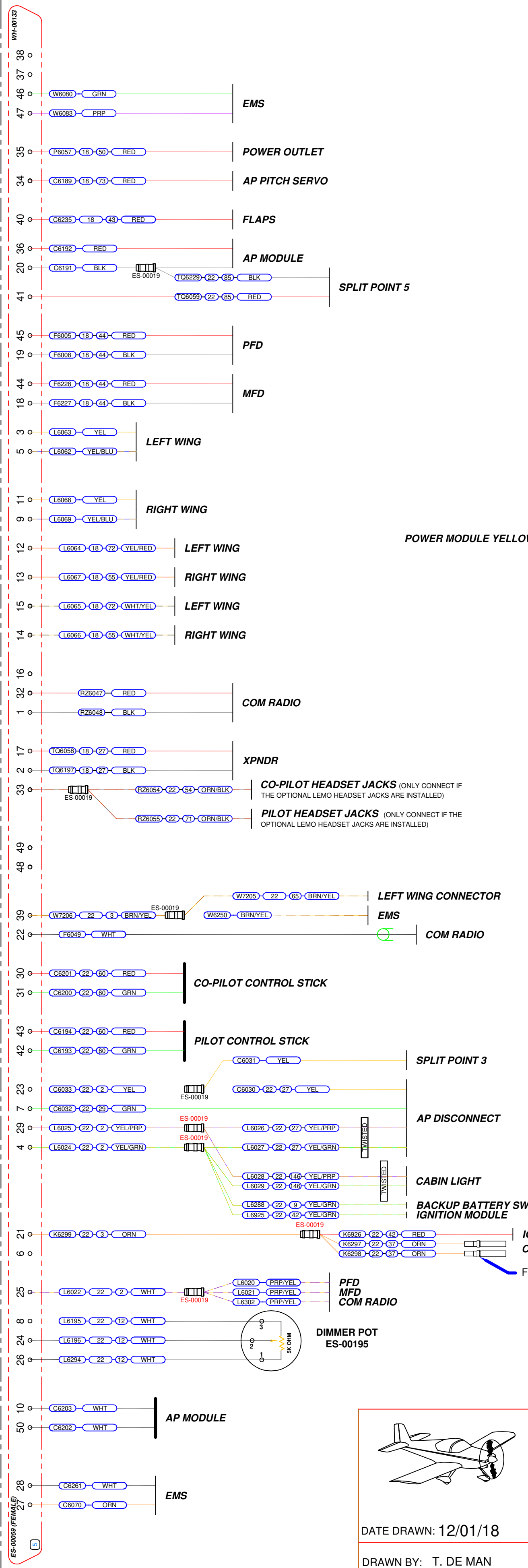
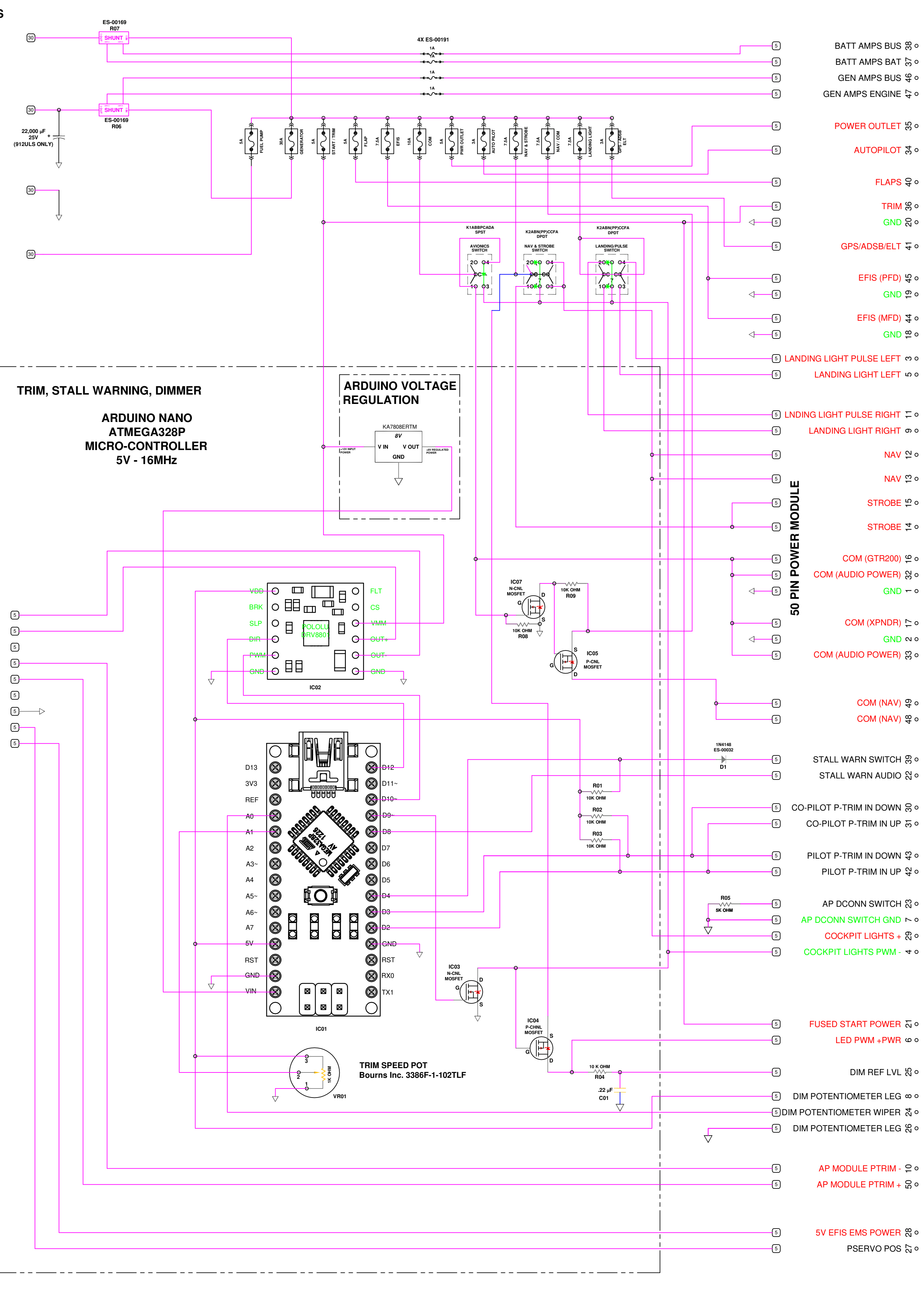
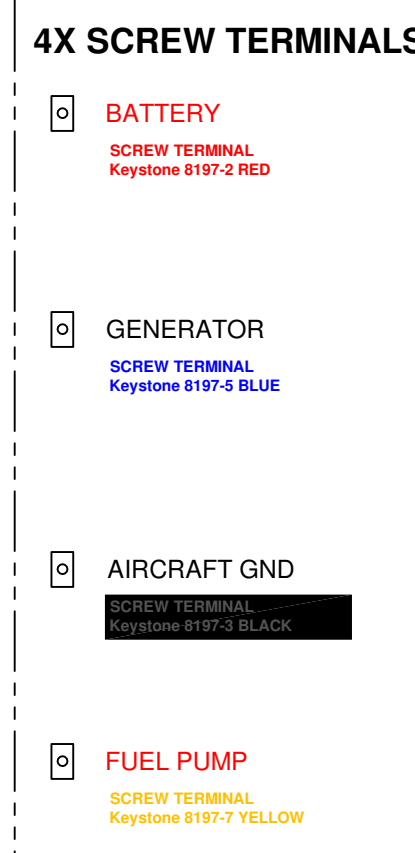
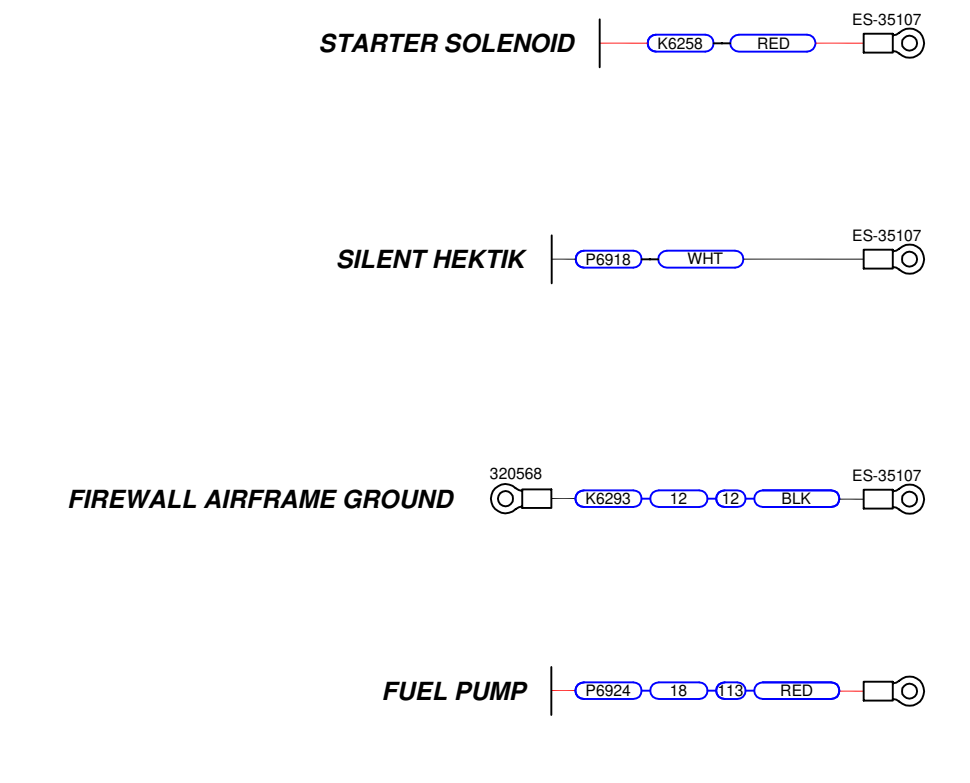
	<b>VAN'S AIRCRAFT, INC.</b> 14401 NE KEIL RD. NE AURORA, OR 97002 USA	
	<b>ROTAX 912ULS SKYVIEW ELECTRICAL SYSTEM</b>	
DATE DRAWN: 12/01/18 DRAWN BY: T. DE MAN TOLERANCES: NONE (UNLESS OTHERWISE SPECIFIED)	UNITS: <b>INCHES</b>	<b>WH-00139</b>
PATH:FILENAME: Q:\RV-12\System IS\Electrical System IS\Electrical System 912ULS SkyView (WH-00139).DWG	SCALE: NONE	PAGE: 7 OF 9

C-SIZE ORIGINAL

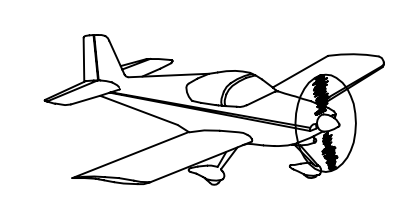


# AV-60000 POWER MODULE iS-ULS PCB V3.3

REV	DESCRIPTION	DATE	APPROVAL
R3	SEE PAGE 1		



THIS WIRE IS SUPPLIED WITH TAILCONE KIT THE CORRESPONDING PINS ARE BUILDER-POPULATED



VAN'S AIRCRAFT, INC. 14401 NE KEIL RD. NI AURORA, OR 97002 USA

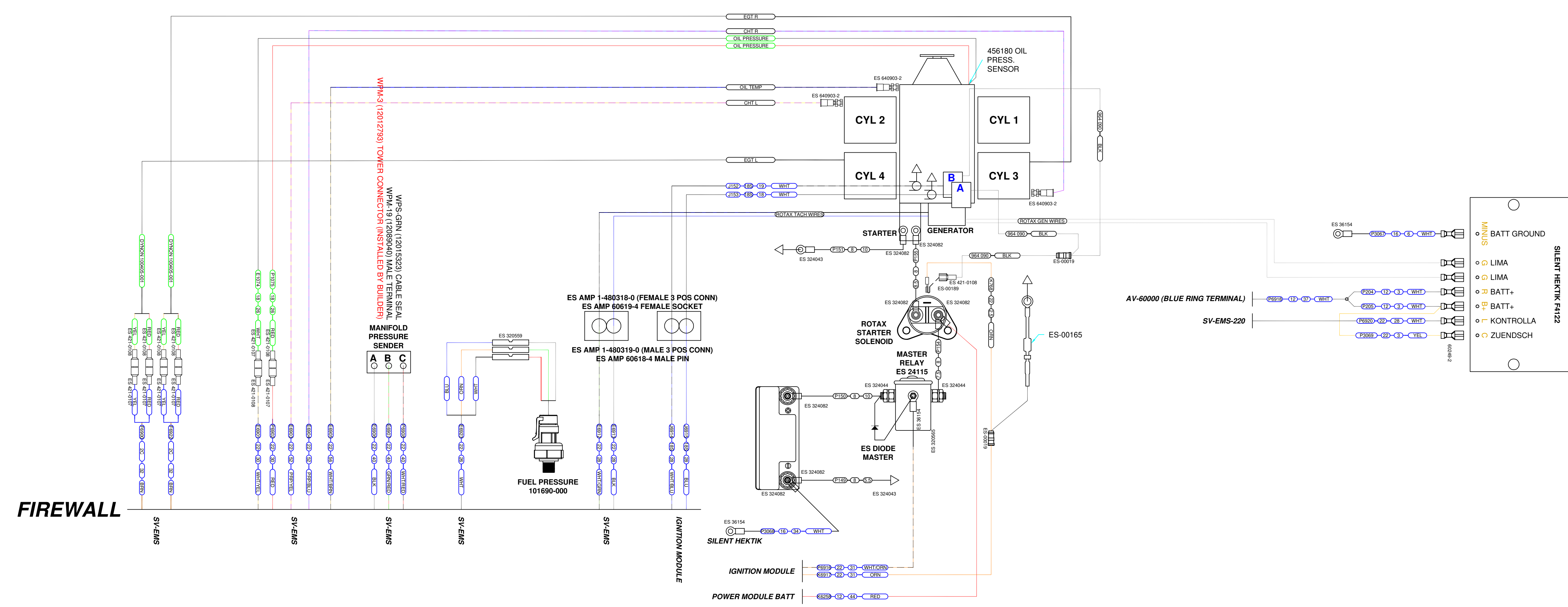
## ROTAX 912ULS SKYVIEW ELECTRICAL SYSTEM

DATE DRAWN: 12/01/18  
DRAWN BY: T. DE MAN  
TOLERANCES: NONE  
(UNLESS OTHERWISE SPECIFIED)

UNITS: INCHES  
SCALE: NONE  
PAGE: 8 OF 9

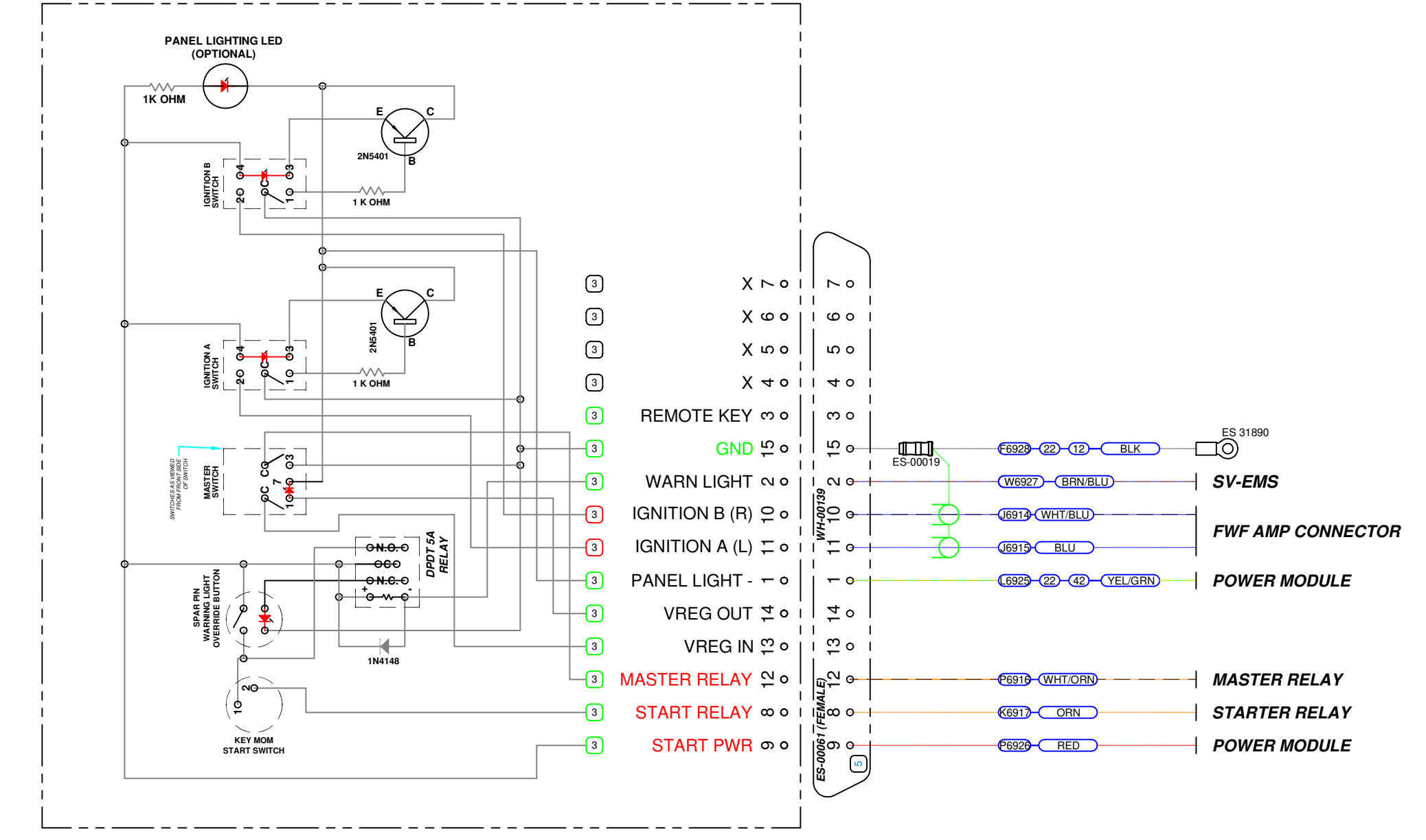
PATH:FILENAME: Q:\RV-12\System IS\Electrical System IS\Electrical System 912ULS SkyView (WH-00139).DWG C-SIZE ORIGINAL

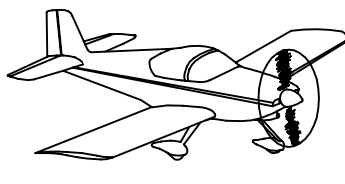




**FIREWALL**

**AV-50002**  
IGNITION & START MODULE



	<b>VAN'S AIRCRAFT, INC.</b> 14401 NE KEIL RD. NE AURORA, OR 97002 USA	
	<b>ROTAX 912ULS SKYVIEW          ELECTRICAL SYSTEM</b>	
DATE DRAWN: 12/01/18 DRAWN BY: T. DE MAN TOLERANCES: NONE (UNLESS OTHERWISE SPECIFIED)	UNITS: <b>INCHES</b> SCALE: NONE	<b>WH-00139</b> PAGE: 9 OF 9
PATH:FILENAME: Q:\RV-12\System IS\Electrical System IS\Electrical System 912ULS SkyView (WH-00139).DWG C-SIZE ORIGINAL		