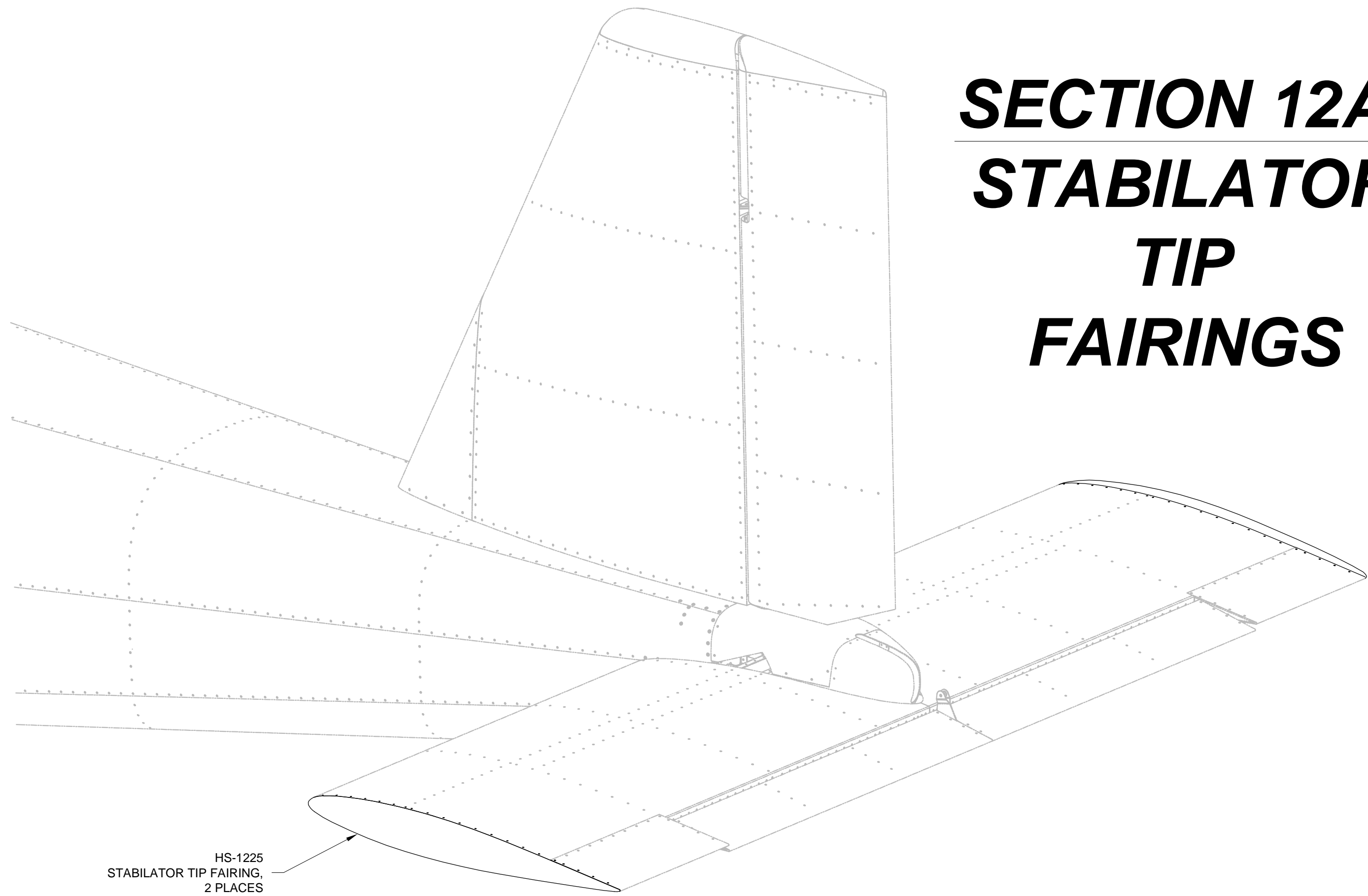


SECTION 12A:

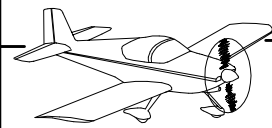
STABILATOR

TIP

FAIRINGS



HS-1225
STABILATOR TIP FAIRING,
2 PLACES



NOTE: Only the installation of the left stabilator tip fairing is shown. Repeat Page 12A-2 Step 1 through Page 12A-3 Step 3 to install the right stabilator tip fairing.

Step 1: Replace the HS-1205 Fwd Outbd Rib, HS-1207 Outbd Main Rib, and HS-1208 Aft Rib with the HS-1204 Fwd Inbd Rib, HS-1206 Inbd Main Rib, and HS-1208 Aft Rib oriented with the flanges facing out as shown in Figure 3. Refer to Section 5 for rivet removal and Section 9 for Stabilator assembly. Flute rib flanges to straighten part if/as required. See Section 5 for more information on fluting.

Match-Drill #30 the new HS-1208 using the holes in the HS-1217 Aft Skin as guides.

Step 2: Ensure that the molded recessed area of the tip fairing has a square inside corner as shown in Figure 1. Use a razor blade or file to remove any material that may have been left from the mold.

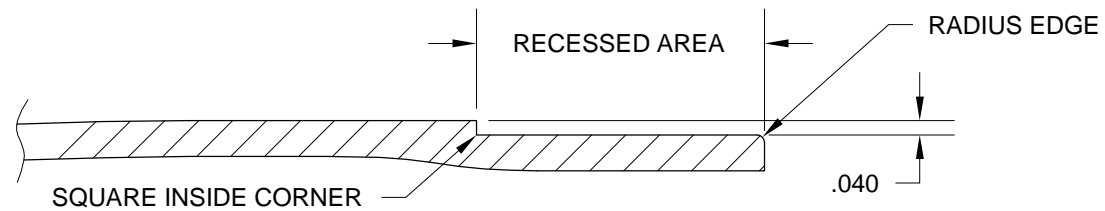


FIGURE 1:
MOLDED FAIRING FLANGE

Step 3: Trim any extra material from the recessed area of the HS-1225 Stabilator Tip Fairing per the dimension given in Figure 2. A fine tooth hacksaw blade works well for aggressive material removal. For trimming anything less than 1/16th inch coarse 80 grit sandpaper on a wood block works very well. Radius inboard edge to fit into ribs as indicated in Figure 1.

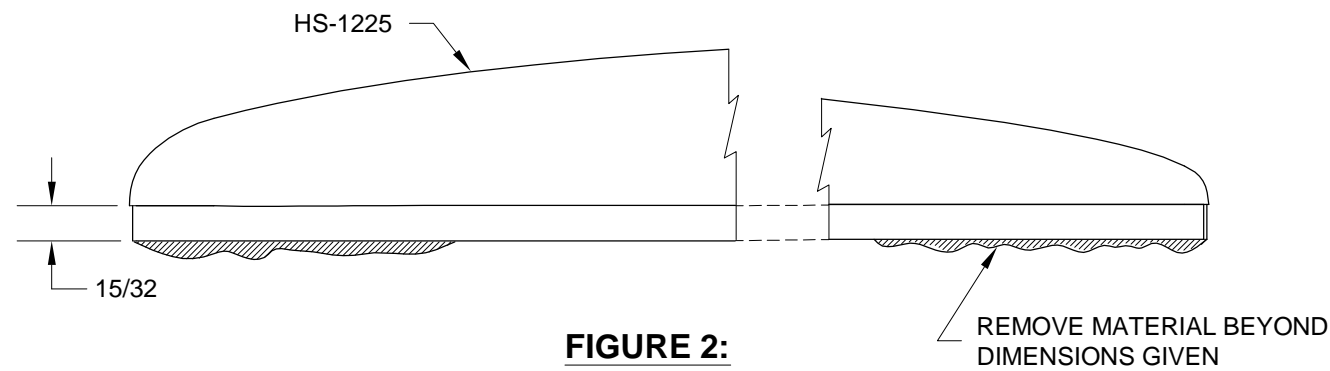


FIGURE 2:
TRIMMING RECESSED AREA

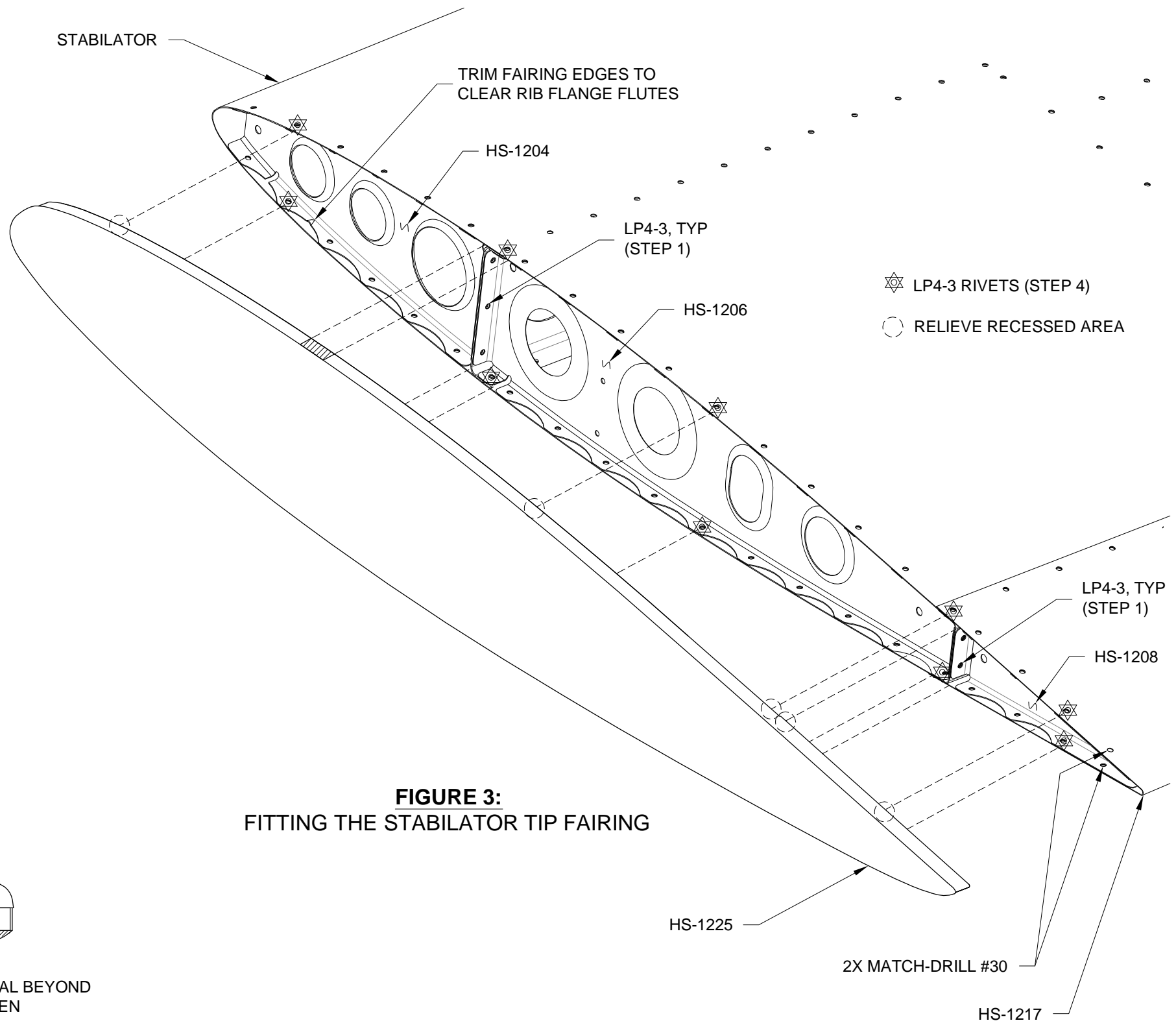
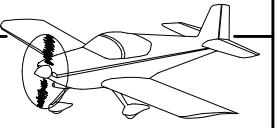


FIGURE 3:
FITTING THE STABILATOR TIP FAIRING

Step 4: Install the ten rivets at the locations called out in Figure 3 on both the top and bottom surfaces of the stabilator (without installing the tip fairing).

Step 5: Use a small round file or rotary tool to make relief notches in the recessed area on the HS-1225 Fairing where the recessed area interferes with rivet shop heads, rib flutes and stabilator structure. See Figure 3. Deepen the relief notches until the stabilator tip fairing is satisfactorily seated in the stabilator tip.



Step 1: Hold the HS-1225 Stabilator Tip Fairing in position on the stabilator. Use tape to temporarily secure the stabilator tip fairing to the stabilator.

Step 2: Match-Drill #30 through the holes in the stabilator and into the recessed flange of the stabilator tip fairing using very light pressure and a sharp drill bit. Remove any drill debris and cleco each hole after it is drilled.

Step 3: Remove the stabilator tip fairing and clear away any chips. Rivet the stabilator tip fairing to the stabilator using the rivets called out in Figure 1.

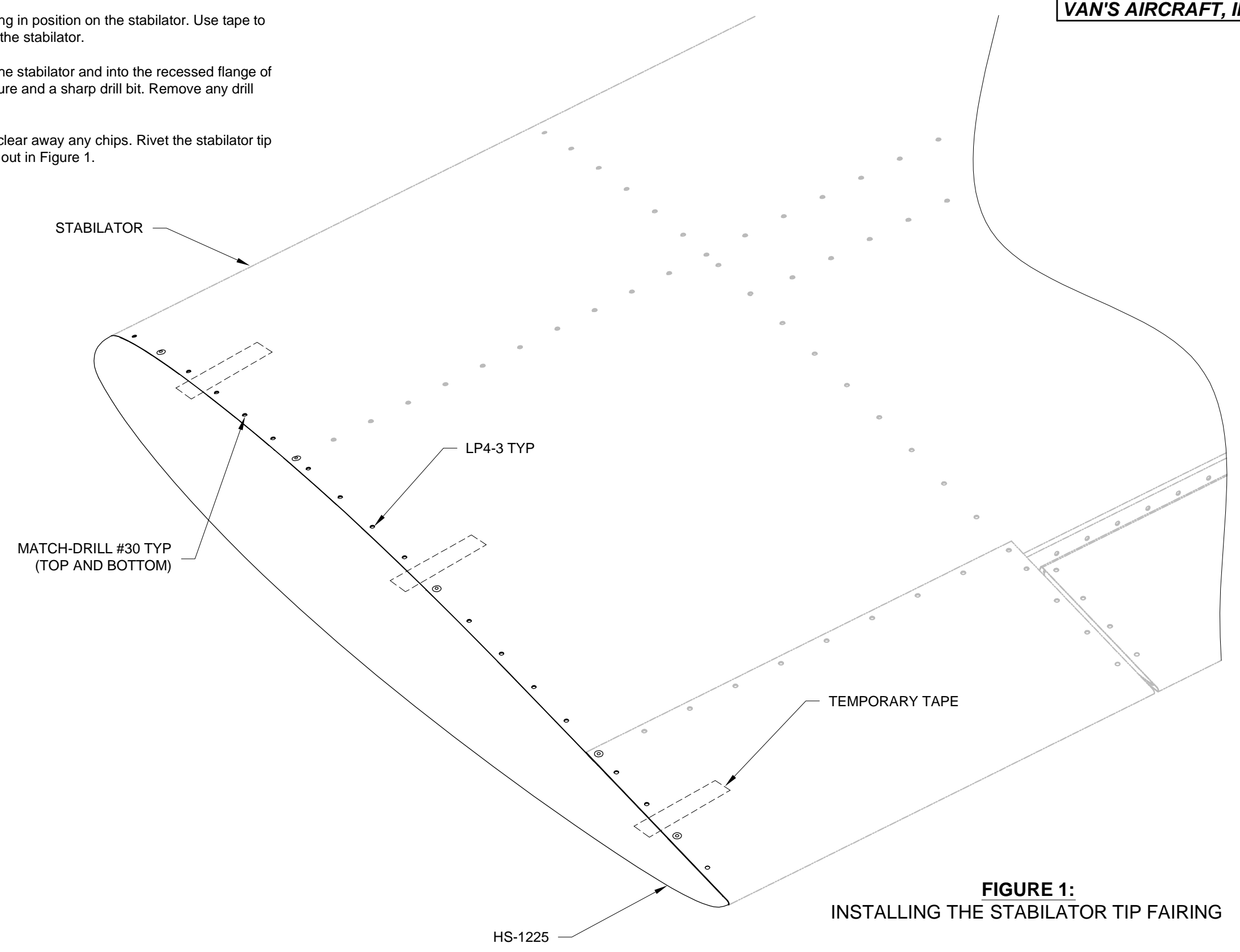


FIGURE 1:
INSTALLING THE STABILATOR TIP FAIRING



NOTE: Any weight and balance information recorded for the aircraft must be updated. Depending on the state of your kit some steps may not be applicable. If you have not yet received the documentation kit for your aircraft ignore the steps on this page.

Step 1: In the RV-12 Maintenance Manual (MM) "INSTALLED EQUIPMENT LIST" table, add "H-STAB FAIRINGS" to the "ITEM" column. On the same line add a checkmark to the "INSTALLED" column.

Enter 1.06 lb for "Weight", 235.324 in for "Location/Arm" and 249.443 in-lb "Moment" onto the same line as "H-STAB FAIRINGS".

In the RV-12 Pilot Operating Handbook (POH) "OPTIONAL EQUIPMENT LIST" table, add "H-STAB FAIRINGS" to the "ITEM" column. On the same line add a checkmark to the "INSTALLED" column.

Enter 1.06 lb for "Weight", 235.324 in for "Location/Arm" and 249.443 in-lb "Moment" onto the same line as "H-STABL FAIRINGS".

NOTE: Steps 2-4 on this page are only applicable if a final weight and balance as specified in the PAP has been completed.

Step 2: In the RV-12 Pilot Operating Handbook (POH) "YOUR AIRPLANE" table, enter the new total values for the arm, weight, and moment of the installed equipment.

Step 3: In the RV-12 POH "YOUR AIRPLANE" table, recalculate and enter new values for the Empty Weight, Empty Moment, and Empty Arm.

Step 4: Make an entry, as calculated in the previous step, on the WEIGHT AND BALANCE RECORD page of the RV-12 Maintenance Manual as follows:

As of this date: ___/___/___ the following values represent current Weight and Balance calculations resulting from the installation of the H-Stab Fairings Optional Kit.

Revised Empty Weight: _____ lbs
Revised Empty Moment: _____ in-lbs
Revised Empty Arm: _____ in

Signed: _____

NOTE: The remaining steps on this page are only applicable for aircraft which have passed a final airworthiness inspection.

Step 5 (ELSA): Make an appropriate entry in the airframe logbook. See example below:

Installed the H-STAB FAIRINGS option in accordance with Van's Aircraft KAI Section 12A and confirmed proper operation.

Signature _____ Certificate # _____

Step 5 (SLSA): Complete the notification N 17-09-12 (available from the Van's Aircraft web site) corresponding to the H-STAB FAIRINGS installation.

Step 6: Section complete.