

TOTAL PERFORMANCE
VAN'S AIRCRAFT

14401 Keil Road NE, Aurora, Oregon, USA 97002
PHONE 503-678-6545 • FAX 503-678-6560 • www.vansaircraft.com • info@vansaircraft.com
Service Letters and Bulletins: www.vansaircraft.com/public/service.htm

NEW PRODUCT RELEASE

PRODUCT/KIT NAME: 12 Stabilator Tip Fairing Kit

PRODUCT/KIT DESCRIPTION: Kit provides two fiberglass tip fairings and replacement tip ribs for installation onto new or existing stabilators.

DOCUMENTATION INVOLVED: Page: 12A-ALL: New pages for optional installation of horizontal stabilizer tip fairings.

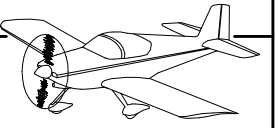
PARTS & HARDWARE INVOLVED:

Qty 2 HS-1225 STABILATOR TIP FAIRING
Qty 2 HS-1204 FWD INBD RIB
Qty 2 HS-1206 INBD MAIN RIB
Qty 2 HS-1208 AFT RIB
(Qty 94 LP4-3) See note below

:

This is an optional part that may be added during construction or retrofitted to flying RV-12 aircraft.

"Retrofit Installation will require approximately 100, LP4-3 rivets sold separately."

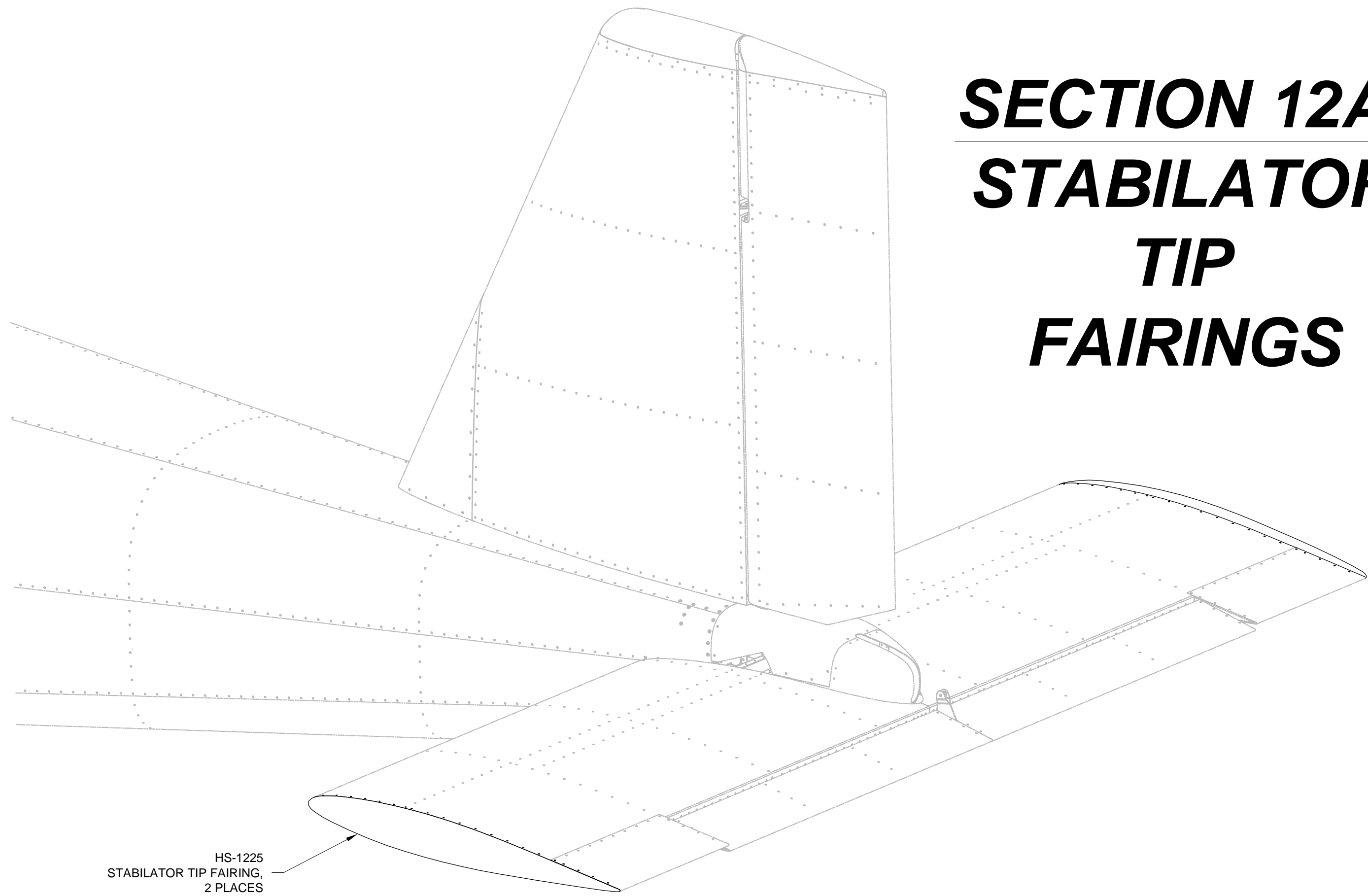


SECTION 12A:

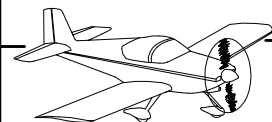
STABILATOR

TIP

FAIRINGS



HS-1225
STABILATOR TIP FAIRING,
2 PLACES



NOTE: Only the installation of the left stabilator tip fairing is shown. Repeat Page 12A-2 Step 1 through Page 12A-3 Step 3 to install the right stabilator tip fairing.

Step 1: Replace the HS-1205 Fwd Outbd Rib, HS-1207 Outbd Main Rib, and HS-1208 Aft Rib with the HS-1204 Fwd Inbd Rib, HS-1206 Inbd Main Rib, and HS-1208 Aft Rib oriented with the flanges facing out as shown in Figure 3. Refer to Section 5 for rivet removal and Section 9 for Stabilator assembly. Flute rib flanges to straighten part if/as required. See Section 5 for more information on fluting.

Match-Drill #30 the new HS-1208 using the holes in the HS-1217 Aft Skin as guides.

Step 2: Ensure that the molded recessed area of the tip fairing has a square inside corner as shown in Figure 1. Use a razor blade or file to remove any material that may have been left from the mold.

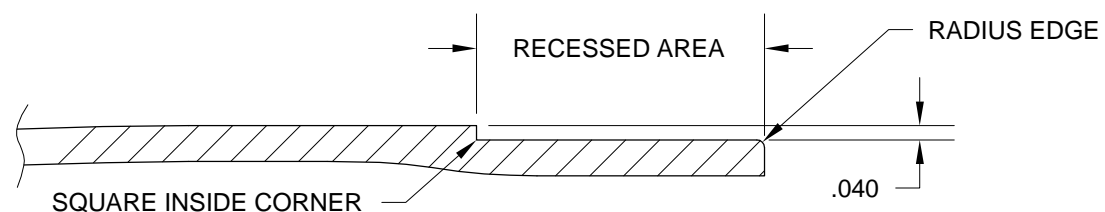


FIGURE 1:
MOLDED FAIRING FLANGE

Step 3: Trim any extra material from the recessed area of the HS-1225 Stabilator Tip Fairing per the dimension given in Figure 2. A fine tooth hacksaw blade works well for aggressive material removal. For trimming anything less than 1/16th inch coarse 80 grit sandpaper on a wood block works very well. Radius inboard edge to fit into ribs as indicated in Figure 1.

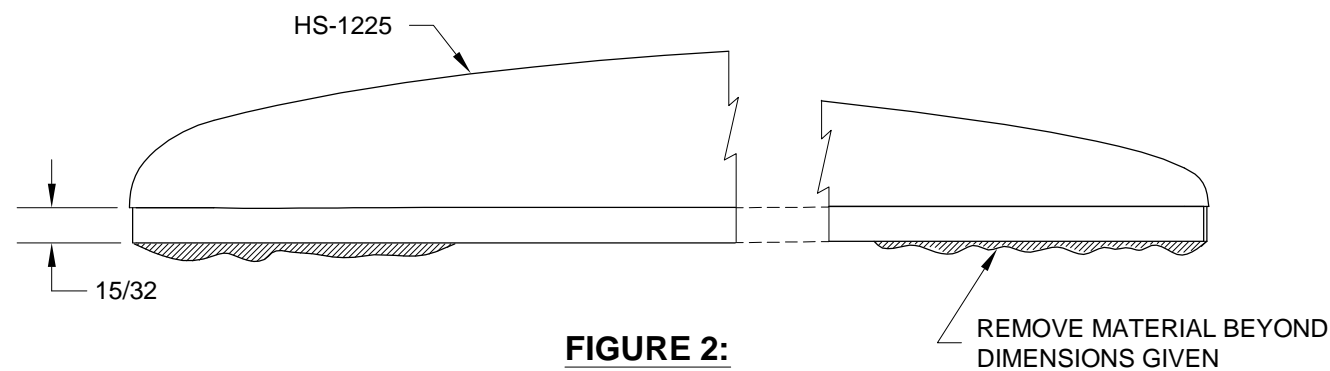


FIGURE 2:
TRIMMING RECESSED AREA

Step 4: Install the ten rivets at the locations called out in Figure 3 on both the top and bottom surfaces of the stabilator (without installing the tip fairing).

Step 5: Use a small round file or rotary tool to make relief notches in the recessed area on the HS-1225 Fairing where the recessed area interferes with rivet shop heads, rib flutes and stabilator structure. See Figure 3. Deepen the relief notches until the stabilator tip fairing is satisfactorily seated in the stabilator tip.

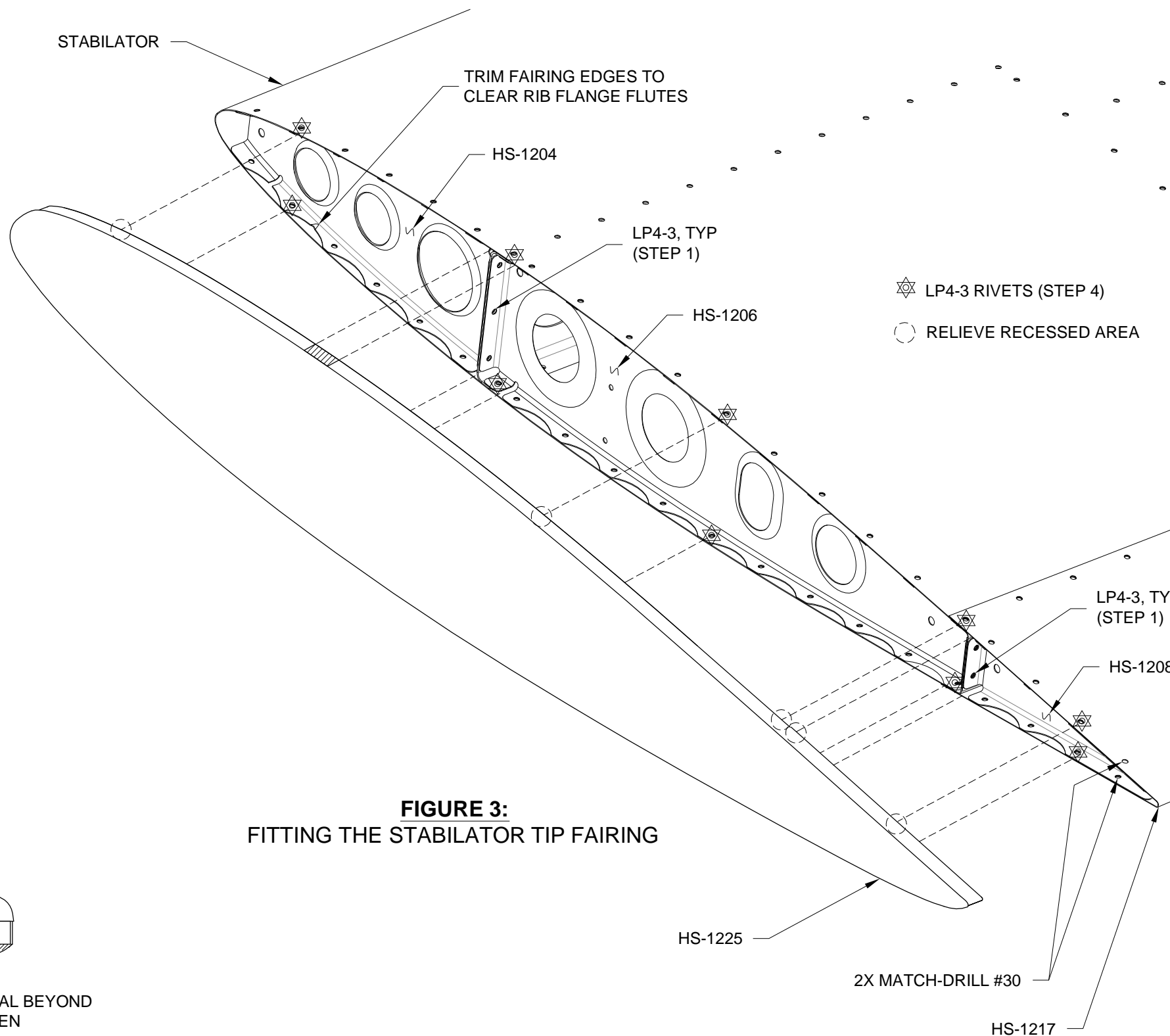
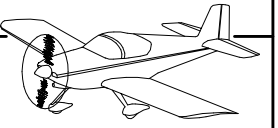


FIGURE 3:
FITTING THE STABILATOR TIP FAIRING



Step 1: Hold the HS-1225 Stabilator Tip Fairing in position on the stabilator. Use tape to temporarily secure the stabilator tip fairing to the stabilator.

Step 2: Match-Drill #30 through the holes in the stabilator and into the recessed flange of the stabilator tip fairing using very light pressure and a sharp drill bit. Remove any drill debris and cleco each hole after it is drilled.

Step 3: Remove the stabilator tip fairing and clear away any chips. Rivet the stabilator tip fairing to the stabilator using the rivets called out in Figure 1.

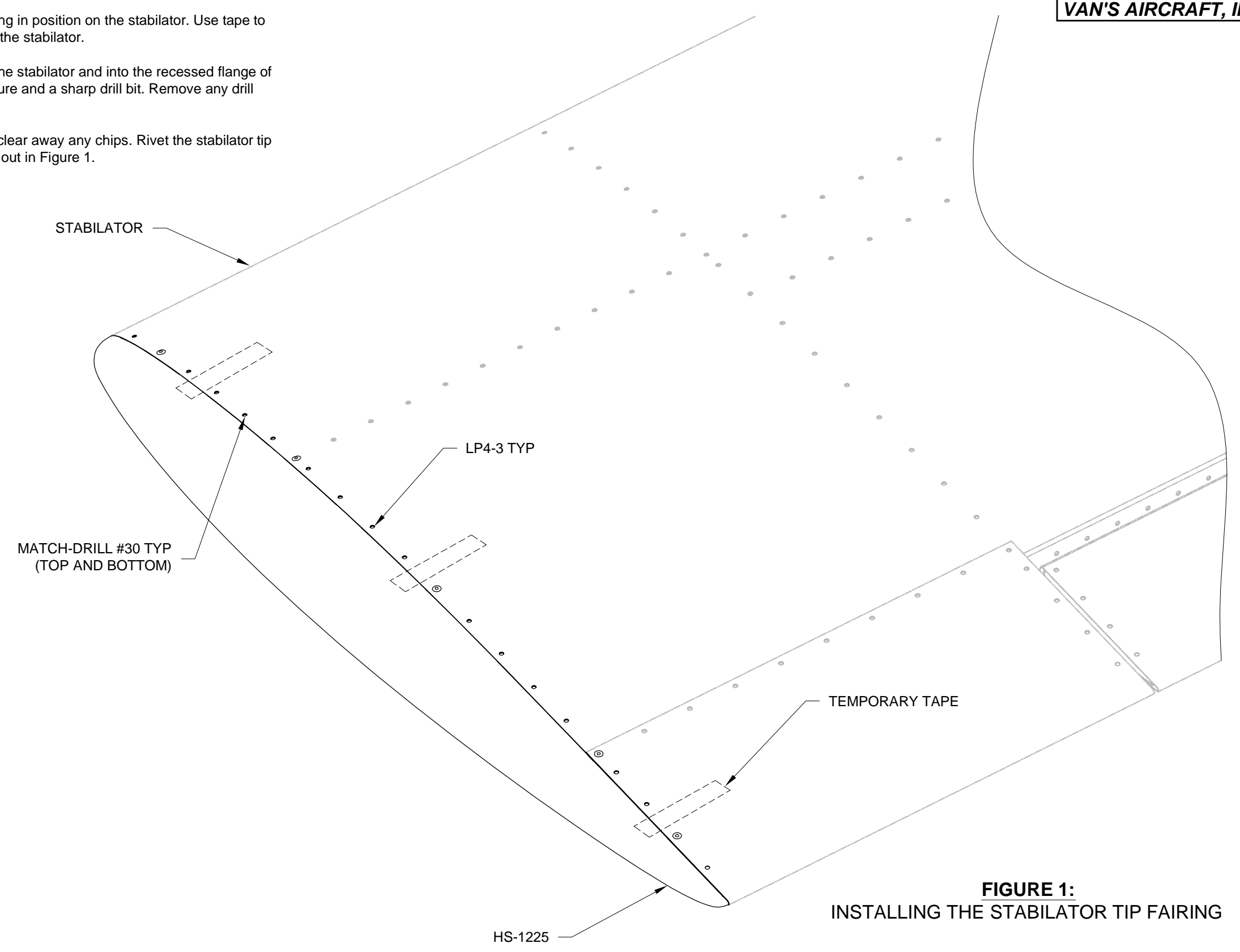


FIGURE 1:
INSTALLING THE STABILATOR TIP FAIRING



THIS PAGE INTENTIONALLY LEFT BLANK