

Step 1: Remove the F-1240 Assembly (forward top skin).

Step 2: Remove the F-1202T Inst Panel Left D-180 (see Page 42-01), then slip the face plate of the AV CONTROL BOARD 12 over flange along the forward edge of the F-1202B Panel Base. See the detail in Figure 1.

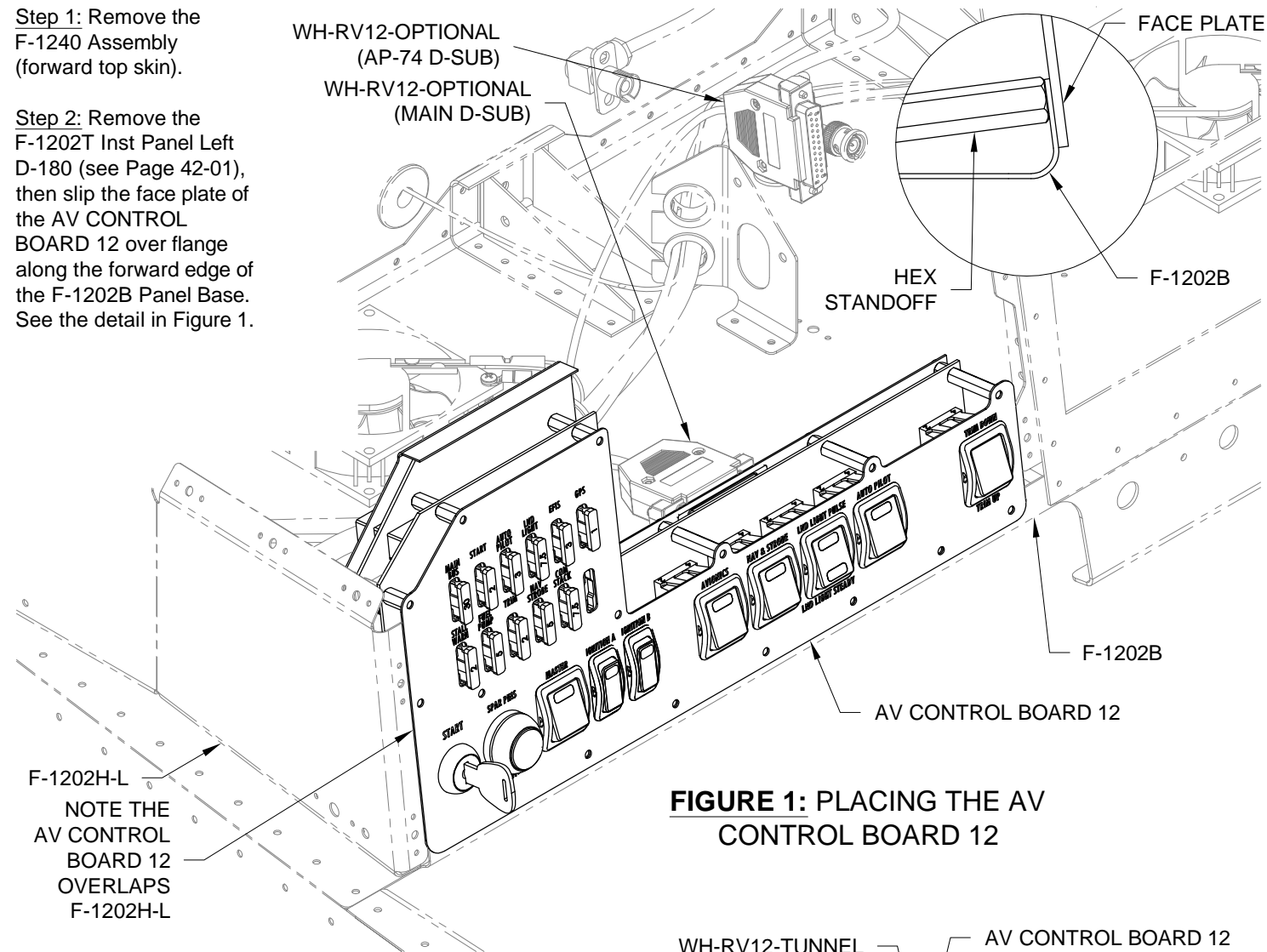


FIGURE 1: PLACING THE AV CONTROL BOARD 12

Step 3: Install the WH-RV12-TUNNEL harness into the d-sub labeled fuselage and WH-RV12-OPTIONAL harness into the d-sub labeled optional on the back of the AV CONTROL BOARD 12. See Figure 2.

Step 4: If not installing the autopilot option, tie-wrap the WH-RV12-OPTIONAL (AP-74 D-SUB) to the main harness wires coming from the WH-RV12-OPTIONAL (MAIN D-SUB).

Step 5: Cut and strip the ends of 22 3/16 inches of #18 AWG wire, then crimp a ring terminal to each end to make the WH-B206 PCB Gnd.

Step 6: Install the WH-B206 PCB Gnd between the screw holding the ES CPU FAN and the middle bottom screw on the AV CONTROL BOARD 12. See Figure 2.

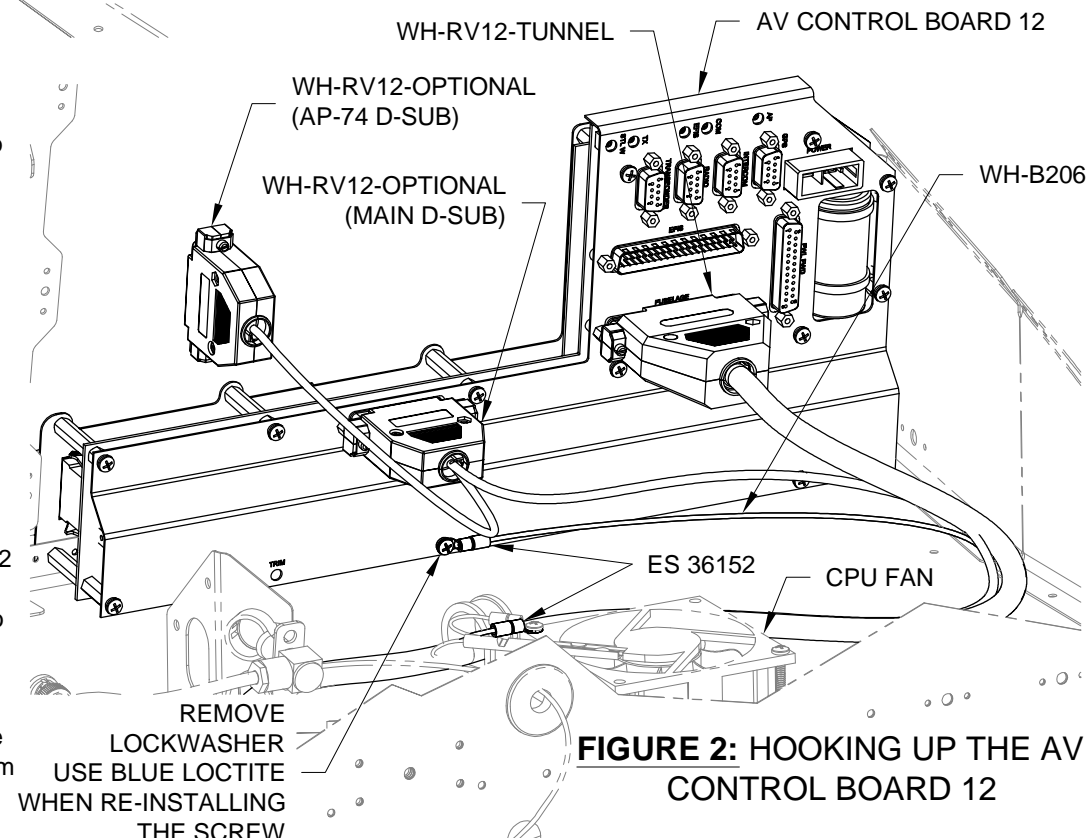


FIGURE 2: HOOKING UP THE AV CONTROL BOARD 12

Step 7: Install fuses into the AV CONTROL BOARD 12 as shown in Figure 3.

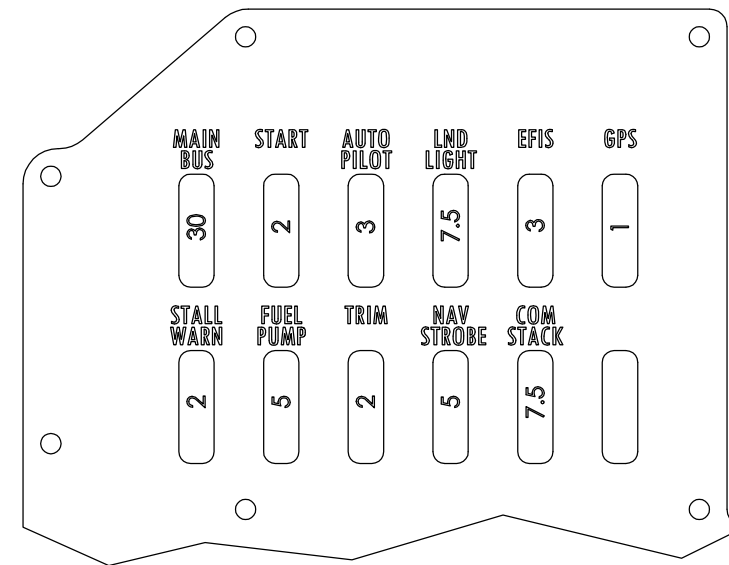


FIGURE 3: INSERTING FUSES INTO THE AV CONTROL BOARD 12

Step 8: Peel the back off the F-12123C Fuse Holder Label and stick it to the top of the F-12123A Fuse Holder. Peel one side of the F-12123B Double Sided Velcro Tape off and place it on the bottom of the assembly.

NOTE: If installing the Dual Display Optional Kit see Section 43 for F-12123 Fuse Holder Assembly mounting instructions and skip to Step 10 upon completion.

Step 9: Peel the remaining side of the F-12123B Double Sided Velcro Tape off and adhere the assembly onto the inside of the Map Box Door as shown in Figure 4.

Step 10: Install a second set of fuses in the F-12123 Fuse Holder Assembly pertaining to the same fuse values shown on the F-12123C Fuse Holder Label.

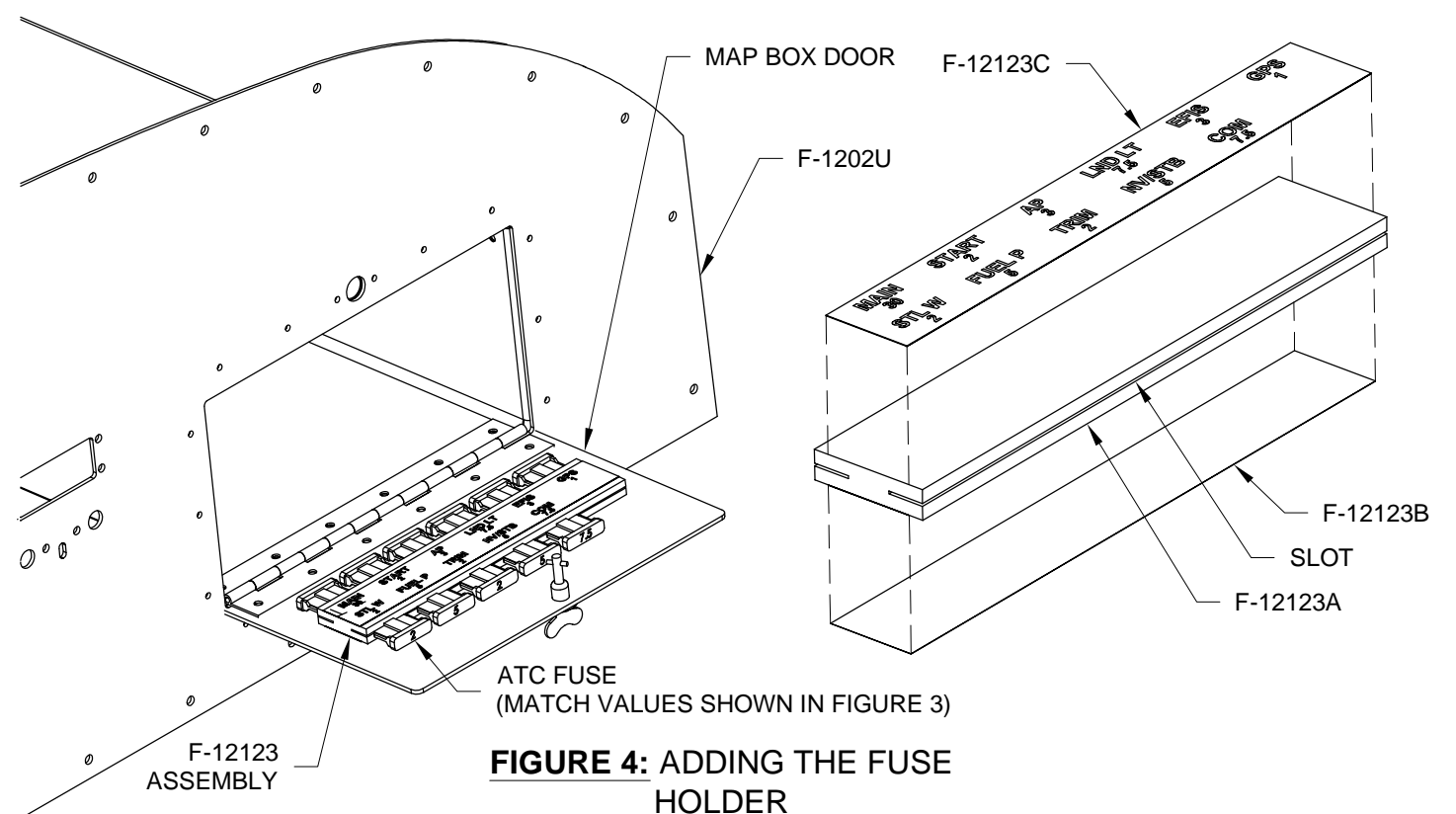


FIGURE 4: ADDING THE FUSE HOLDER