

NOTE: If desired, the aircraft interior and interior cover panels should be primed and or painted before completing the steps in this section.

Step 1: Dimple the nutplate rivet holes in the F-1228 Seat Floor Cover and the nutplates as shown in Figure 1. Rivet the nutplates to the seat floor cover as shown in Figure 1.

Step 2: Remove the Detent Bracket Assembly and slip the F-1228 Seat Floor Cover over the WD-1213 Flap Handle as shown in Figure 1. Attach the seat floor cover to the F-1225-L & -R Seat Floors, then screw the Detent Bracket Assembly to the seat floor cover using the hardware called out in Figure 1.

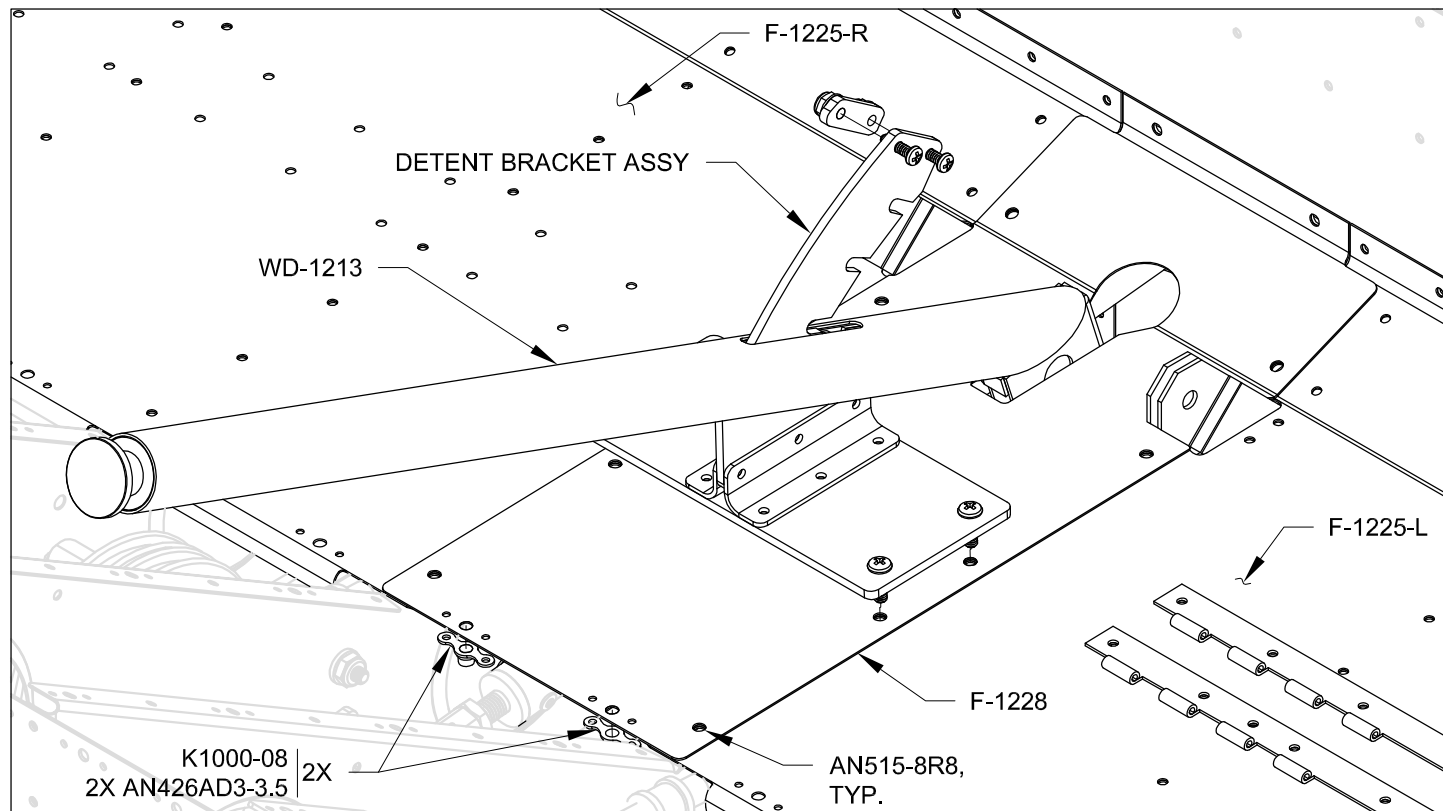


FIGURE 1: SEAT FLOOR COVER INSTALLATION (SOME PARTS NOT SHOWN FOR CLARITY)

NOTE: Two opposite belt sections (one male and one female) should be mounted at the center lug locations to prevent the belts from being used by the incorrect seat position. Take care when installing the lap belts that the belts will not be twisted when fastened together.

Step 3: Attach the end fitting of the lap belts to the F-1217C Seat Belt Attach Lugs using the hardware shown in Figure 2.

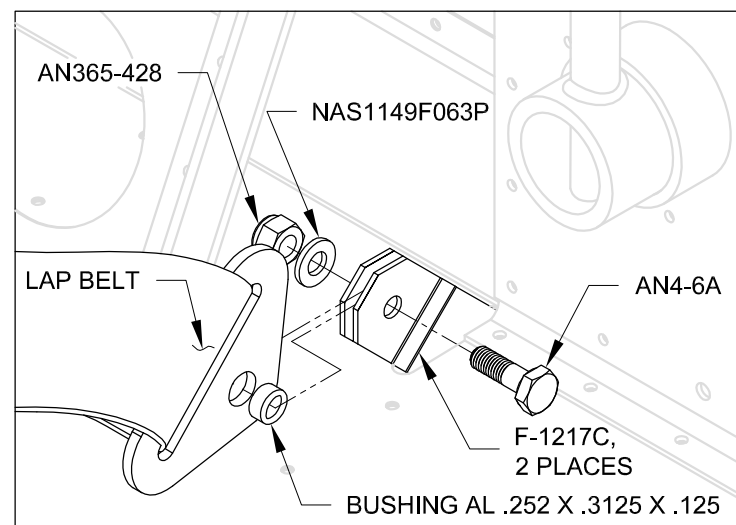


FIGURE 2: LAP BELT ATTACH

Step 4: Attach the end fitting of the crotch straps to the F-1267A and F-1276B Crotch Strap Lugs using the hardware called out in Figure 3.

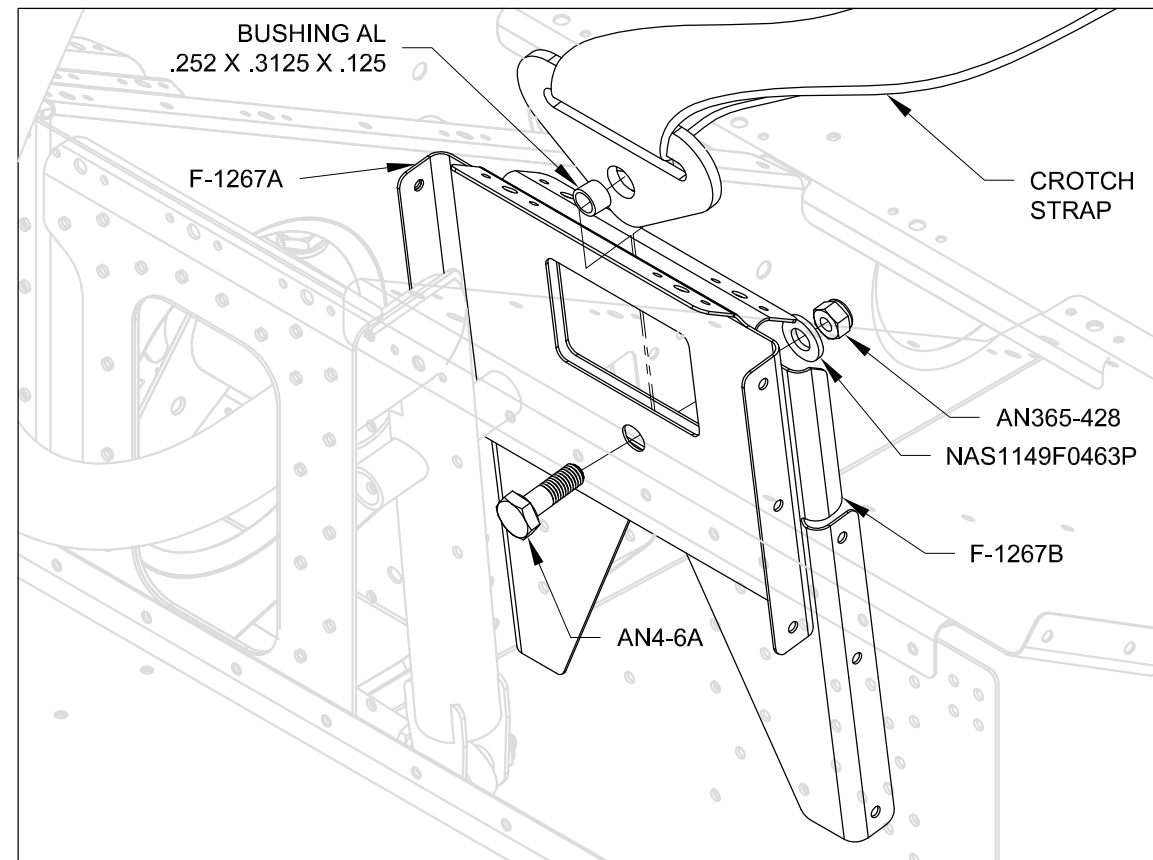


FIGURE 3: CROTCH STRAP INSTALLATION (SOME PARTS NOT SHOWN FOR CLARITY)

NOTE: If installing the Dual Display Optional Kit do not install the F-1214 Step Floor Cover at this time.

Step 5: Remove the VA-104-3 Knob and fasten the F-1227 Seat Ramp Cover and F-1214 Step Floor Cover in place using the hardware called out in Figure 4. Reattach the knob.

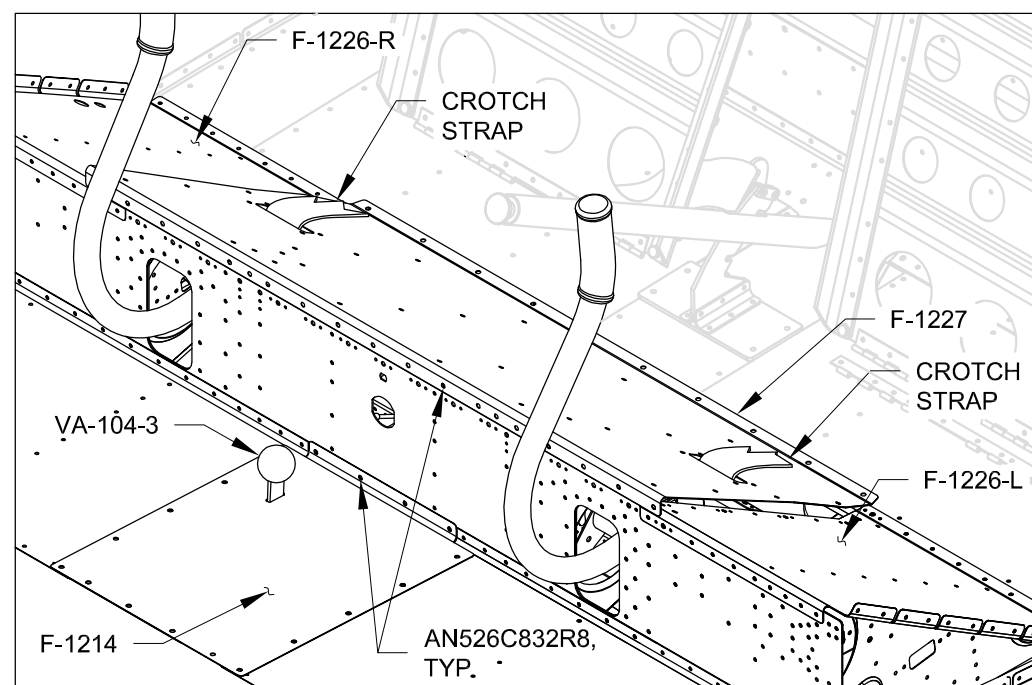


FIGURE 4: SEAT RAMP COVER INSTALLATION