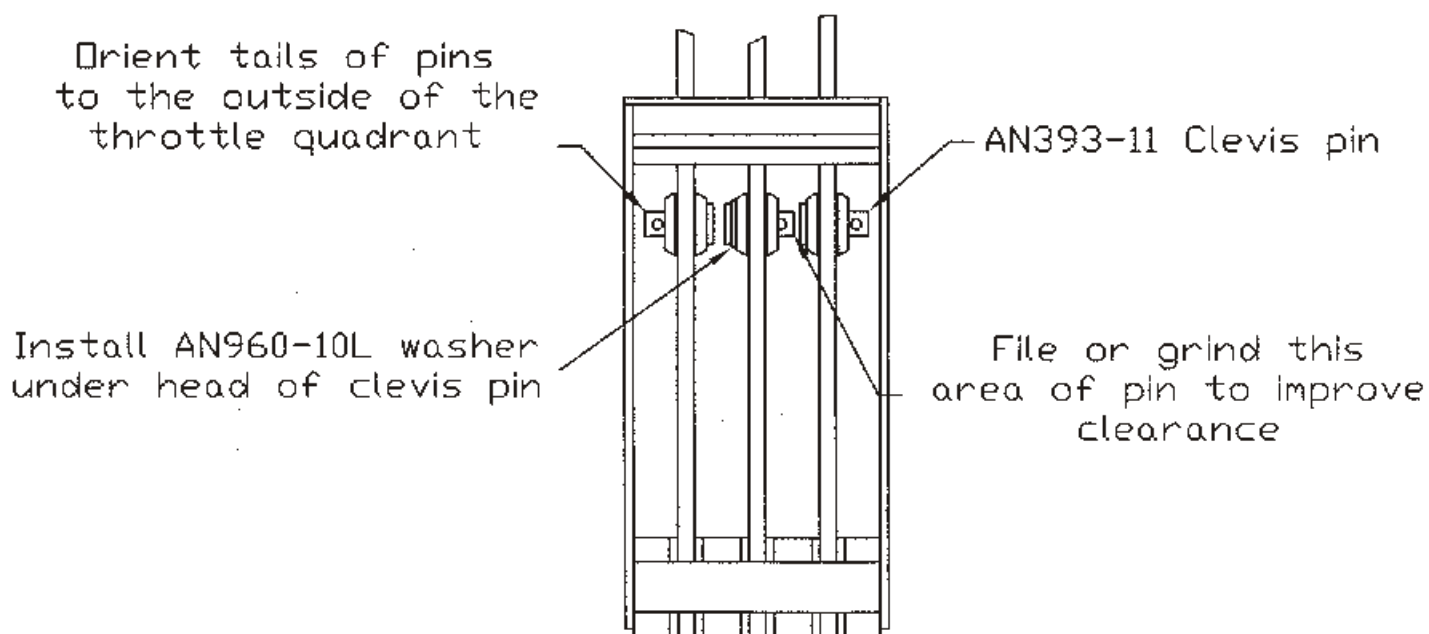


Model CT83F deluxe throttle quadrant 2 lever and 3 lever models.

Use only a F-453A /AN665-21R clevis with an AN393-11 clevis pin.

In order to avoid potential clevis interference, it is important to install clevis pins with the tails oriented to the outside of the quadrant. The potential interference occurs when any given lever is operated independently of the adjacent lever(s). Interference occurs when there is relative motion between adjacent levers. The clevis pin in the middle lever of three lever quadrants must use an AN960-10L washer under the head ... It may be helpful to file the tail of the clevis pin to provide more clearance between the tail and the head of the clevis pin on the adjacent lever.

CT 83 DELUXE 3 LEVER QUADRANT  
SERVICE NOTE DRAWING NO 1



VIEW FROM THE REAR